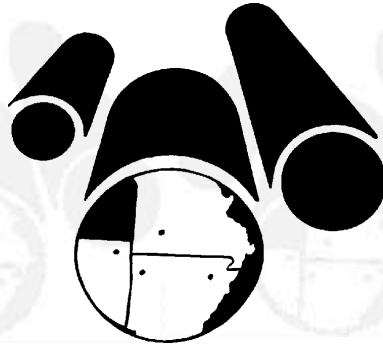


Seerlock Industries

Miami, OK

Fayetteville, AR



Springfield, MO

Jonesboro, AR

Our Company was established in 1953 in Jonesboro, Arkansas, for the purpose of manufacturing small diameter sewer pipe. Our history of steady growth in both product lines and manufacturing facilities has positioned us as a leader in the concrete products industry. Our companies have the ability to produce almost any precast concrete product while supporting that function with an engineering and quality control staff.

Standard Storm Sewer Specifications for Culverts

I. Reinforced Concrete Pipe.

A. **Scope of Work.** The work shall consist of furnishing all labor, materials, and equipment for the complete installation of storm sewer pipe, in conformance with the lines and grades shown on the plans or as established by the Engineer. Items of work or materials not specifically mentioned but necessary for the completion of storm sewer line construction shall be considered as incidental to the items in the contract.

B. Materials.

- a) **Pipe.** Pipe shall be of the type, size, and class shown on the plans.
- b) **Reinforced Concrete Culvert Pipe.** Reinforced concrete culvert pipe shall conform to the requirements of the Specifications for Reinforced Concrete Culvert Pipe, ASTM C-76. Installations shall be made with circular pipe conforming to the requirements for class III, class IV, or class V, B-Wall, or C-Wall, of the ASTM C-76 specification.
- c) All precast flared end sections shall conform to ASTM C-76. Toe walls required shall conform to AASHTO M-170.
 - 1) All precast Bends, Wyes, and Tees shall comply with ASTM C-76, AASHTO M-170 or Federal Specification SS-P-375.
- d) Fine and coarse aggregates for the concrete mixture shall comply with the requirements of ASTM specifications.
 - 1) Cement shall comply with the requirements of ASTM C-150.
 - 2) Steel shall comply with the requirements ASTM C-185.
 - 3) Joint sealing material, plastic type, shall comply with ASTM C-990, AASHTO M-198, or Federal Specification SS-S-210A.
- e) D-load design pipe shall conform to ASTM C-655.
- f) Preform tape-type plastic compound shall be applied in accordance with the manufacturer's recommendations.

Scarlock Industries

Jonesboro, AR - Springfield, MO - Miami, OK - Fayetteville, AR
870-935-5913 417-862-5088 918-542-1884 479-521-0504



Circular Pipe ASTM C-76

"A" Inside Dia.	"B" Outside Dia.	"C" Wall Thickness	"D" Joint Length	Waterway Area	Weight Per Foot	Bulk Compound Lbs. Per Joint	Preformed Jt. Material in Ft.
12"	16"	B 2"	4' & 6'	.79 sf.	95 lbs.	1.62	3.20
15"	19 - 1/2"	B 2-1/4"	4' & 6'	1.23 sf.	127 lbs.	2.77	4.00
18"	23"	B 2-1/2"	4', 6', 7-1/2'	1.77 sf.	168 lbs.	4.00	4.90
21"	26 - 1/2"	B 2-3/4"	4' & 6'	2.41 sf.	214 lbs.	6.10	5.50
24"	30"	B 3"	4', 6', 7-1/2'	3.14 sf.	264 lbs.	7.80	6.25
30"	38 - 1/2"	C 4-1/4"	4' & 7-1/2'	4.91 sf.	476 lbs.	10.00	8.00
30"	37 - 1/4"	B 3-3/4"	4' & 6'	4.91 sf.	400 lbs.	10.00	8.00
36"	45 - 1/2"	C 4-3/4"	4' & 7-1/2'	7.07 sf.	654 lbs.	18.7	9.50
42"	52 - 1/2"	C 5-1/4"	4' & 7-1/2'	9.62 sf.	811 lbs.	28.50	11.00
48"	59 - 1/2"	C 5-3/4"	4' & 7-1/2'	12.57 sf.	1011 lbs.	29.00	12.60
54"	66 - 1/2"	C 6-1/4"	7-1/2'	15.90 sf.	1230 lbs.	45.00	14.20
60"	73 - 1/2"	C 6-3/4"	4' & 7-1/2'	19.64 sf.	1477 lbs.	59.00	15.75
66"	80 - 1/2"	C 7-1/4"	7-1/2'	23.76 sf.	1735 lbs.	76.00	17.25
72"	86"	B 7"	4', 7-1/2' & 8'	28.28 sf.	1811 lbs.	93.00	18.90
78"	93"	B 7-1/2"	8'	33.18 sf.	2100 lbs.	95.00	20.50
84"	100"	B 8"	7-1/2'	38.47 sf.	2410 lbs.	137.00	22.00
96"	114"	B 9"	4'	50.27 sf.	3090 lbs.	195.00	25.20
120"	140"	A 10"	4'	78.54 sf.	4263 lbs.	255.00	31.50

NOTE: All circular pipe can be furnished in Class III, IV, and V, or special designs. Contact our plant for Class I or Class II products

ASTM C - 76 Pipe Data

	Initial D-Load	Ultimate Load
Class III =	1350 lbs.	2000 lbs.
Class IV =	2000 lbs.	3000 lbs.
Class V =	3000 lbs.	3750 lbs.



Scurlock Industries

Jonesboro, AR - Springfield, MO - Miami, OK - Fayetteville, AR
 870-935-5913 417-862-5088 918-542-1884 479-521-0504



Circular Pipe

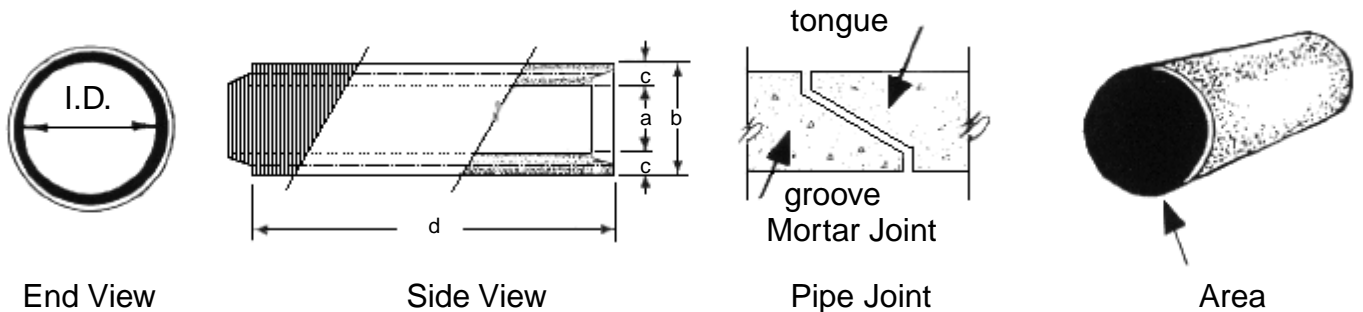
Reinforced Concrete Culvert Pipe complies with
ASTM C-76



NOTE:

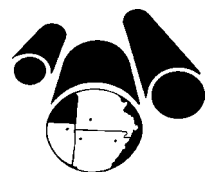
All Circular pipe can be furnished in Class III, IV, V or Special design D-load.

	Initial D-Load	Ultimate Load
Class III =	1350 lbs.	2000 lbs.
Class IV =	2000 lbs.	3000 lbs.
Class V =	3000 lbs.	3750 lbs.
Contact our plant for Class I or Class II products		



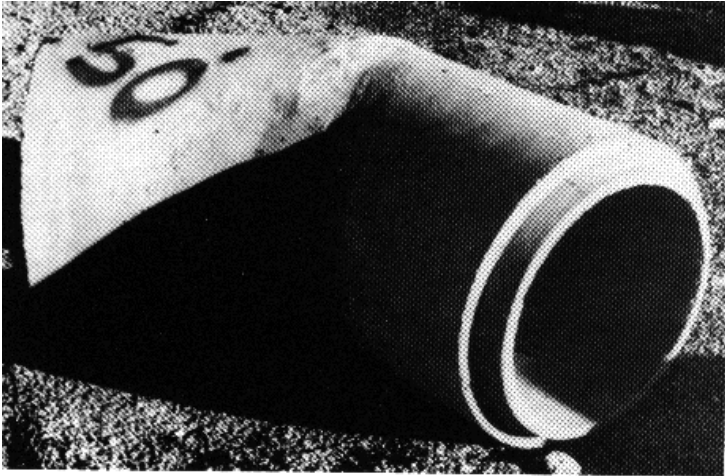
Scurlock Industries

Jonesboro, AR - Springfield, MO - Miami, OK - Fayetteville, AR
870-935-5913 417-862-5088 918-542-1884 479-521-0504



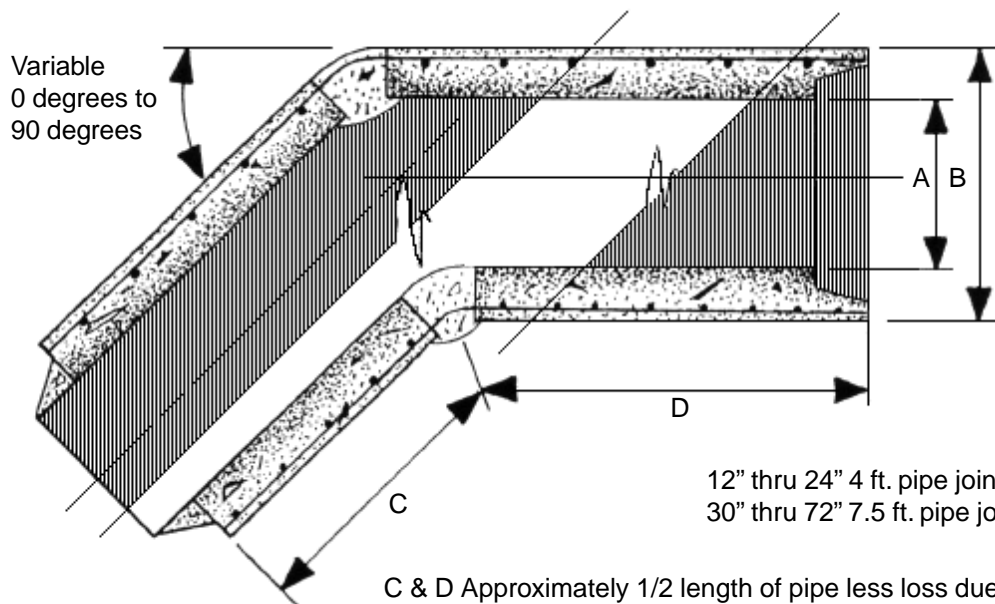
C-76 Mortar Joint Bend

Culvert Pipe



NOTE: Reinforcement in both pieces to be welded together at time of construction.

Typical fitting made from a standard piece of pipe. Pipe manufactured to meet ASTM C-76 specifications, including reinforcement for Class III, IV or V.



A RCP Inside Diameter
B RCP Outside Diameter

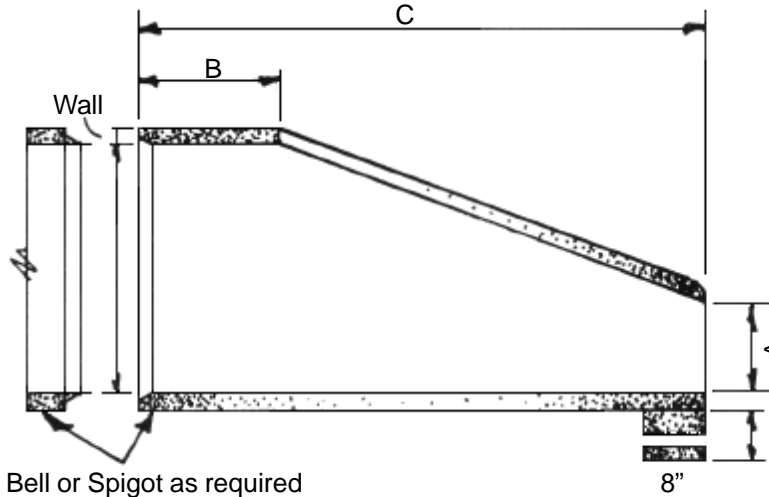
• Contact our plant for all confirmations on RCP Bend sizes.

Scurlock Industries

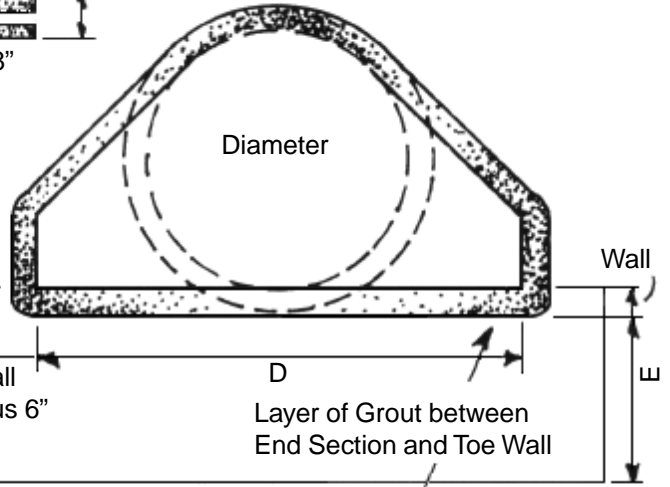
Jonesboro, AR - Springfield, MO - Miami, OK - Fayetteville, AR
870-935-5913 417-862-5088 918-542-1884 479-521-0504



Flared End Section



Toe Wall Constructed at Outlet End Only



Dimensions

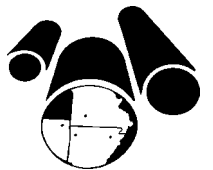
Dia.	Wall	Weight	A	B Min.	C Min.	D	E
12"	2"	530 lbs.	4"	4'0"	6'	2'0"	18"
15"	2-1/4"	750 lbs.	6"	3'10"	6'	2'6"	18"
18"	2-1/2"	990 lbs.	9"	3'10"	6'	3'0"	18"
21"	2-3/4"	1284 lbs.	9"	3'2"	6'	3'6"	18"
24"	3"	1520 lbs.	9-1/2"	2'6"	6'	4'0"	24"
27"	3-1/4"	1855 lbs.	10-1/2"	2'1"	6'	4'6"	24"
30"	3-1/2"	2190 lbs.	1'0"	1'7"	6'	5'0"	24"
36"	4"	4100 lbs.	1'3"	2'10"	8'	6'0"	24"
42"	4-1/2"	5380 lbs.	1'9"	2'11"	8'	6'6"	24"
48"	5"	6550 lbs.	2'0"	2'2"	8'	7'0"	24"
54"	5-1/2"	8040 lbs.	2'3"	2'11"	8'	7'6"	36"
60"	6"	8750 lbs.	2'6"	3'3"	8'	8'0"	36"
66"	6-1/2"	9400 lbs.	2'0"	1'9"	8'	8'6"	36"
72"	7"	12,520 lbs.	2'0"	1'9"	8'3"	9'0"	42"
84"	Contact our plant for details						

NOTE:

All flared ends are manufactured to ASTM specifications and state highway standards



Jonesboro, AR - Springfield, MO - Miami, OK - Fayetteville, AR
 870-935-5913 417-862-5088 918-542-1884 479-521-0504



Precast Flared Ends



STATE-APPROVED Flared Ends available 12" thru 84"



Reinforcement

Adjoining Pipe Dia. Inches	Barrel Section Reinforcement			Flare Section Reinforcement (one layer only in center of wall)	
	Circular		Elliptical	Area of Longitudinal Sq. In./ Lin. Ft.	Area of Transverse Sq. In./ Lin. Ft.
	Inner Cage Sq. In./ Lin. Ft.	Outer Cage Sq. In./ Lin. Ft.			
12	0.07			0.048	0.048
15	0.07			0.054	0.054
18	0.07		0.07	0.060	0.060
21	0.07		0.07	0.066	0.066
24	0.07		0.07	0.072	0.072
27	0.13		0.11	0.078	0.078
30	0.14		0.12	0.084	0.084
36	0.12	0.09	0.13	0.096	0.096
42	0.15	0.12	0.17	0.108	0.108
48	0.18	0.14	0.20	0.120	0.120
54	0.22	0.16	0.24	0.132	0.132
60	0.25	0.19	0.28	0.144	0.144
66	0.31	0.23	0.34	0.156	0.156

Scurlock Industries

Jonesboro, AR - Springfield, MO - Miami, OK - Fayetteville, AR
 870-935-5913 417-862-5088 918-542-1884 479-521-0504



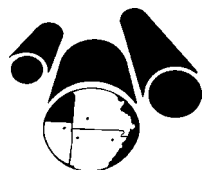
Typical Pipe Installations



ASTM C-76
Class 5
60" RCP

Scurlock Industries

Jonesboro, AR - Springfield, MO - Miami, OK - Fayetteville, AR
870-935-5913 417-862-5088 918-542-1884 479-521-0504

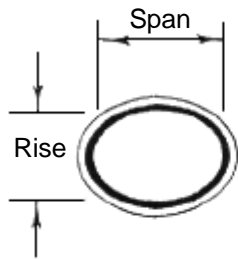


Horizontal Elliptical Pipe

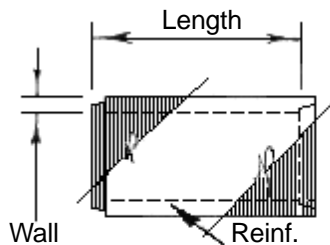
Reinforced Concrete Culvert Pipe complies with ASTM C - 507



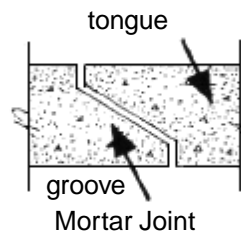
Contact our plant for Special Design D-Load HE products that are available



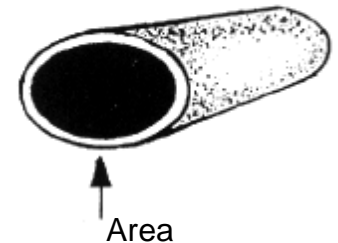
End View



Side View



Pipe Joint



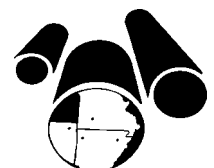
Area

Equivalent Round Size	Rise & Span Inside Diameter	Classification (Ultimate Strength)	Wall Thickness	Weight (Per Ft.)	Area (Sq. Ft.)	Length (Pipe Section)	Outside Diameter (O.D.)	
							Vertical	Horizontal
18"	14" x 23"	C-2, C-3, C-4	2-3/4"	200 lbs.	1.8	7.5'	19-1/2"	28-1/2"
24"	19" x 30"	C-2, C-3, C-4	3-1/4"	300 lbs.	3.3	7.5'	25-1/2"	36-1/2"
30"	24" x 38"	C-2, C-3, C-4	3-3/4"	430 lbs.	5.1	7.5'	31-1/2"	45-1/2"
36"	29" x 45"	C-2, C-3, C-4	4-1/2"	625 lbs.	7.4	7.5'	38"	54"
42"	34" x 53"	C-2, C-3, C-4	5"	815 lbs.	10.2	7.5'	44"	63"
48"	38" x 60"	C-2, C-3, --	5-1/2"	1000 lbs.	12.9	7.5'	49"	71"
54"	43" x 68"	C-2, C-3, --	6"	1235 lbs.	16.6	6'	55"	80"
60"	48" x 76"	C-2, C-3, --	6-1/4"	1475 lbs.	20.5	5'	61"	89"

18" HE RCP through 36" HE RCP is available 7-1/2' joints.

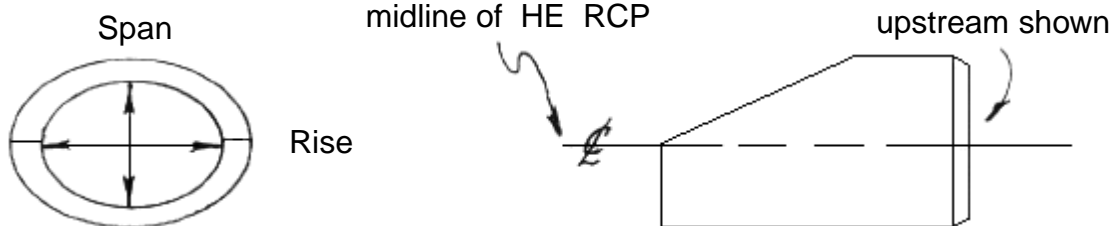
Sewlock Industries

Jonesboro, AR - Springfield, MO - Miami, OK - Fayetteville, AR
 870-935-5913 417-862-5088 918-542-1884 479-521-0504



Elliptical RCP

Tapered End Sections
ASTM C-507



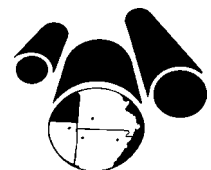
Available in upstream and downstream tapered end sections in the following sizes:

Rise & Span	Round Equiv.	Joint Length	Weight (lbs.)
14" x 23"	18"	7 1/2'	1500 lbs.
19" x 30"	24"	7 1/2'	1680 lbs.
24" x 38"	30"	7 1/2'	2280 lbs.
29" x 45"	36"	7 1/2'	3380 lbs.
34" x 53"	42"	7 1/2'	4480 lbs.
38" x 60"	48"	7 1/2'	5580 lbs.
43" x 68"	54"	6'	6880 lbs.
48" x 76"	60"	5'	6980 lbs.

24 " through 36" End Section available in 7 - 1/2' lengths.

Scurlock Industries

Jonesboro, AR - Springfield, MO - Miami, OK - Fayetteville, AR
870-935-5913 417-862-5088 918-542-1884 479-521-0504



Standard Specifications

Sanitary Sewer Pipe

Reinforced Concrete Pipe:

- A. General. Reinforced concrete pipe shall be precast and shall conform to the requirements of The Standard Specifications for Reinforced Concrete Low-Head Pressure Pipe, ASTM C-361, latest revision, except that strength may conform to the requirements of ASTM C-76, with a minimum of “B” designation wall thickness, or the requirements of ASTM C-655, latest revision, for “D-Load” pipe, where permitted. Pipe shall be manufactured to the strength class shown on the plans and/or indicated in the specifications.
- B. Materials. Materials for the manufacture of reinforced concrete pipe shall conform to the requirements of the ASTM specifications listed above and shall include but not be limited to, the following:
- | | |
|------------|---|
| ASTM A-185 | Welded Steel Wire Fabric for Concrete Reinforcement |
| ASTM C-33 | Specification for Concrete Aggregates. |
| ASTM C-150 | Specification for Portland Cement. |
- C. Joints. Joints may utilize steel joint rings, steel bells, and concrete spigots or be formed entirely of concrete. Joints shall contain at least one annular ring of reinforcement in either the male or female end but in no case shall the joint reinforcement be less than that required in ASTM C-361. Joints shall be sealed using a rubber gasket as the sole element to provide watertightness. All rubber gaskets shall fully comply with all requirements of ASTM C-443.
- D. Quality Assurance. The interior surfaces of the pipe shall be a smooth, true cylindrical surface and shall be free of undulations or corrugations. No pipe shall exceed the permissible variations described in ASTM C-76, Section 12. Pipe shall be tested prior to delivery to the job site in accordance with the requirements of ASTM C-361, Section 10, and ASTM C-497. Proof of compliance with the testing requirements shall be demonstrated to the purchaser prior to delivery of the pipe.
- E. Marking. All pipe shall be clearly marked with the class, date of manufacture, and the manufacturer’s name or trademark. If elliptical reinforcement is used, the minor axes shall be designated on the outside of the pipe.
- F. Fittings. All fittings shall be manufactured from pipe of the same type and class as the straight joints of pipe. Fittings shall be clearly marked with the fitting configuration.

Scurlock Industries

Jonesboro, AR - Springfield, MO - Miami, OK - Fayetteville, AR
870-935-5913 417-862-5088 918-542-1884 479-521-0504



Circular Pipe

Sanitary Pipe

**Reinforced Concrete Sewer Pipe complies with ASTM C-76
with ASTM C-443 - Gasket**

NOTE:

All circular pipe can be furnished in Class III, IV, V.



	Initial D-load	Ultimate load
Class III=	1350 lbs.	2000 lbs.
Class IV=	2000 lbs.	3000 lbs.
Class V=	3000 lbs.	3750 lbs.

Contact our plant for Class I or Class II products



Joint Detail offered with single offset or confined O-ring.

- Contact our plant for Special Design D-load products that are available.

Sewlock Industries

Jonesboro, AR - Springfield, MO - Miami, OK - Fayetteville, AR
870-935-5913 417-862-5088 918-542-1884 479-521-0504

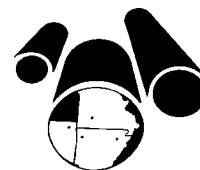


Standard Precast Box Culvert Specifications

- I. Precast Concrete Box Culverts for ASTM C-850 or C-789 Standards
 - A. The precast concrete box sections for the culvert shall be in accordance with the requirements of ASTM C-1433. All boxes can be furnished in Interstate Loading, Earth Dead Loading, and Railroad Loading.
 - B. Fine and coarse aggregates for the concrete mixture shall comply with the requirements of ASTM Specifications.
 - a) Cement shall comply with the requirements ASTM C-150.
 - b) Steel shall comply with the requirements ASTM C-185, ASTM C-990.
 - c) Joint sealing material, plastic type, shall comply with AASHTO M-198 or Federal Specification SS-S-210A.
 - C. Precast conical plugs shall be furnished for lifting holes.
 - D. Admixtures may be used with the approval of the engineer.
 - E. Curing shall be in accordance with ASTM standards. Box sections shall be cured until the concrete developed the specified compressive strength.
 - F. End sections shall be precast to the same dimensions and shapes and with the same reinforcement as shown for the culvert. Each precast end section shall include approximately 2 feet of barrel floor, tapered 2 to 1 as an integral unit. Precast headwalls and toe walls shall be furnished as required.
 - G. The manufacturer may request approval of modified designs which differ from the designs in ASTM C-1433. Such modified or special designs shall fully describe to the engineer any deviations from those standards. Computer designs shall be available for box culverts by the manufacturer.
 - H. The excavation and backfilling for the precast box sections and end sections shall be in accordance with the requirements of the manufacturer. The bedding shall be compacted to provide uniform support over the bottom of the box and end sections. No direct payment will be made for furnishing or placing granular material.
 - I. The individual box section shall carefully be set to lines and grades shown on the plans with the female end upstream, and the male end extended the full length into the adjacent section of box. When multicell boxes are used, a 1-1/2 inch minimum space shall be left between the adjacent precast sections. All joints between individual box sections shall be sealed with an approved joint sealant material.

Scurlock Industries

Jonesboro, AR - Springfield, MO - Miami, OK - Fayetteville, AR
870-935-5913 417-862-5088 918-542-1884 479-521-0504



Precast Box Culvert Specifications (cont.)

- J. Tapered precast plugs shall be thoroughly sealed with plastic joint material. Lifting devices shall have sufficient bearing on the inside of the box section to avoid damage resulting from a concentration stresses around the lift holes.
- K. Preform tape type plastic compound shall be applied in accordance with the manufacturer's recommendations.
- L. Precast box culvert, complete in place, will be measured to the nearest foot along the geometrical center of the culvert.
- M. The accepted quantities for the concrete box culvert complete in place will be paid for at the unit price for the pay items included in the contract. Center-line per lineal foot basis is recommended.

Scurlock Industries

Jonesboro, AR - Springfield, MO - Miami, OK - Fayetteville, AR
870-935-5913 417-862-5088 918-542-1884 479-521-0504



Precast Box Culvert Installations



Advantages:

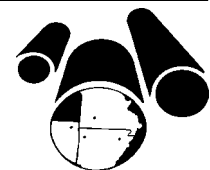
1. Savings of time in the project and on-site development.
2. Savings of initial costs.
3. Ease of installation.



4. Backfills immediately.
5. High strength concrete and quality control.
6. Shortens the number of days in a project.
7. Eliminates costly detours.

Scurlock Industries

Jonesboro, AR - Springfield, MO - Miami, OK - Fayetteville, AR
870-935-5913 417-862-5088 918-542-1884 479-521-0504



Standard Specifications for Manholes

Summary of Practice:

All lift holes and any pipes entering the manhole are to be plugged. A vacuum will be drawn and the vacuum drop over a specified time period is used to determine the acceptability of the manhole.

Procedure:

A vacuum of 10 inches of mercury shall be drawn on the manhole, the valve on the vacuum line of the test head is closed, and the vacuum pump shut off. The time shall be measured for the vacuum to drop from 10 inches of mercury to 9 inches.

The manhole shall pass if the time for the vacuum to drop to 9 inches of mercury meets or exceeds the values indicated in the table below.

If the manhole fails the initial test, necessary repairs shall be made by an approved method. The manhole shall then be retested until a satisfactory test is obtained.

Minimum Test Times (in seconds) for Various Manhole Diameters

Diameters (inches):	48	60	72
8	20	26	33
10	25	33	41
12	30	39	44
14	35	46	57
16	40	52	67
18	45	59	73
20	50	65	81
22	55	72	89
24	59	78	97
26	64	85	105
28	69	91	113
30	74	98	121

Scurlock Industries

Jonesboro, AR - Springfield, MO - Miami, OK - Fayetteville, AR
870-935-5913 417-862-5088 918-542-1884 479-521-0504



Precast Manholes

48" Diameter Manhole Parts

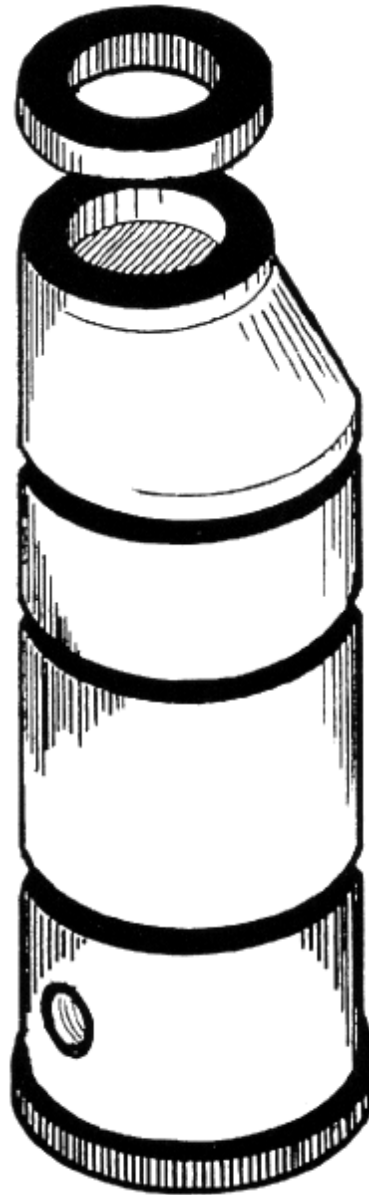
Adjustment Rings: 2" thru 12"

Cones:
24" Eccentric Cone
30" Eccentric Cone
36" Eccentric Cone
38" Eccentric Cone

Standard Risers: 12", 16", 24", 32", 48"

Bases: Variable

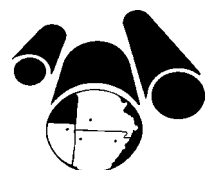
Precast Bottoms: 6" Std. Thickness
Variable on designs



Precast Bottom and Invert System

Scurlock Industries

Jonesboro, AR - Springfield, MO - Miami, OK - Fayetteville, AR
870-935-5913 417-862-5088 918-542-1884 479-521-0504



Precast Inlet Bases

Complies with ASTM C-478



Flexible Connectors
Precast Bottom and Invert



Arch Opening
No Bottom

Tee Base

36" x 7.5' RCP Class 3 with 24 x 24 Tee Base Inlet



Contact our plant for availability of various sizes of manholes.

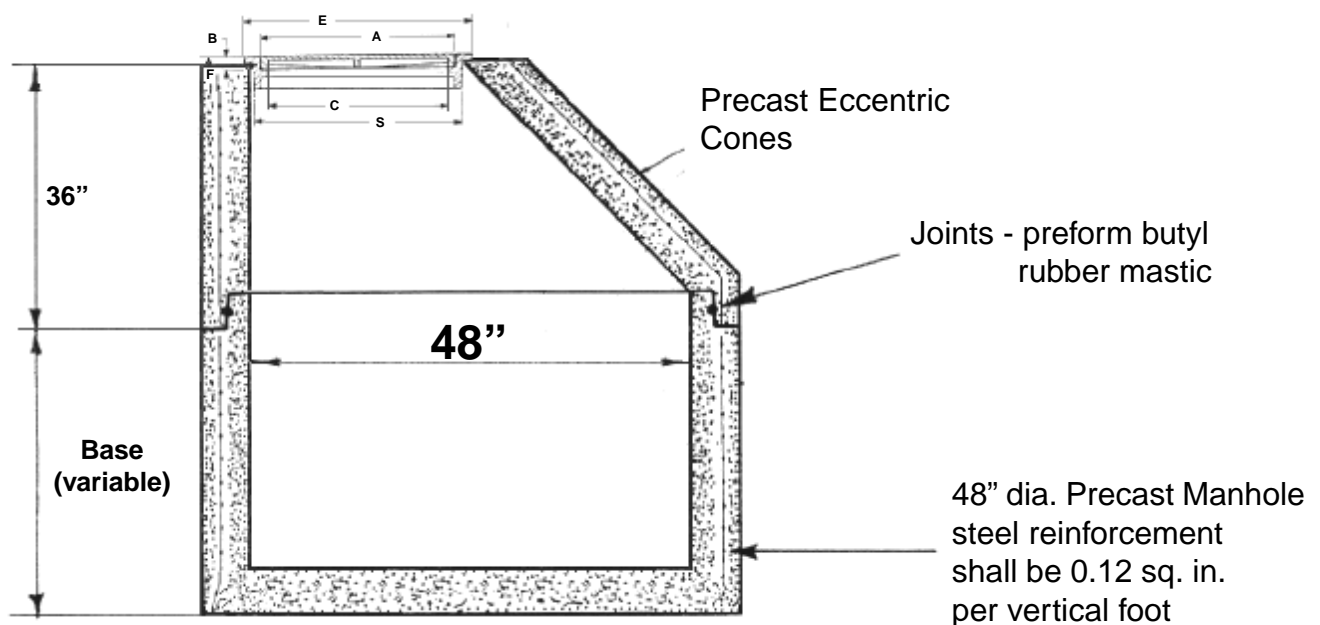
Scurlock Industries

Jonesboro, AR - Springfield, MO - Miami, OK - Fayetteville, AR
870-935-5913 417-862-5088 918-542-1884 479-521-0504



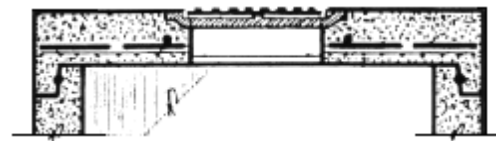
Precast Sanitary Sewer Manholes

Shallow Manhole



OR

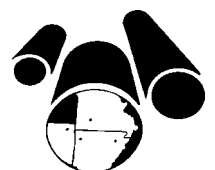
Flat in lieu of cone



Complies with ASTM C-478

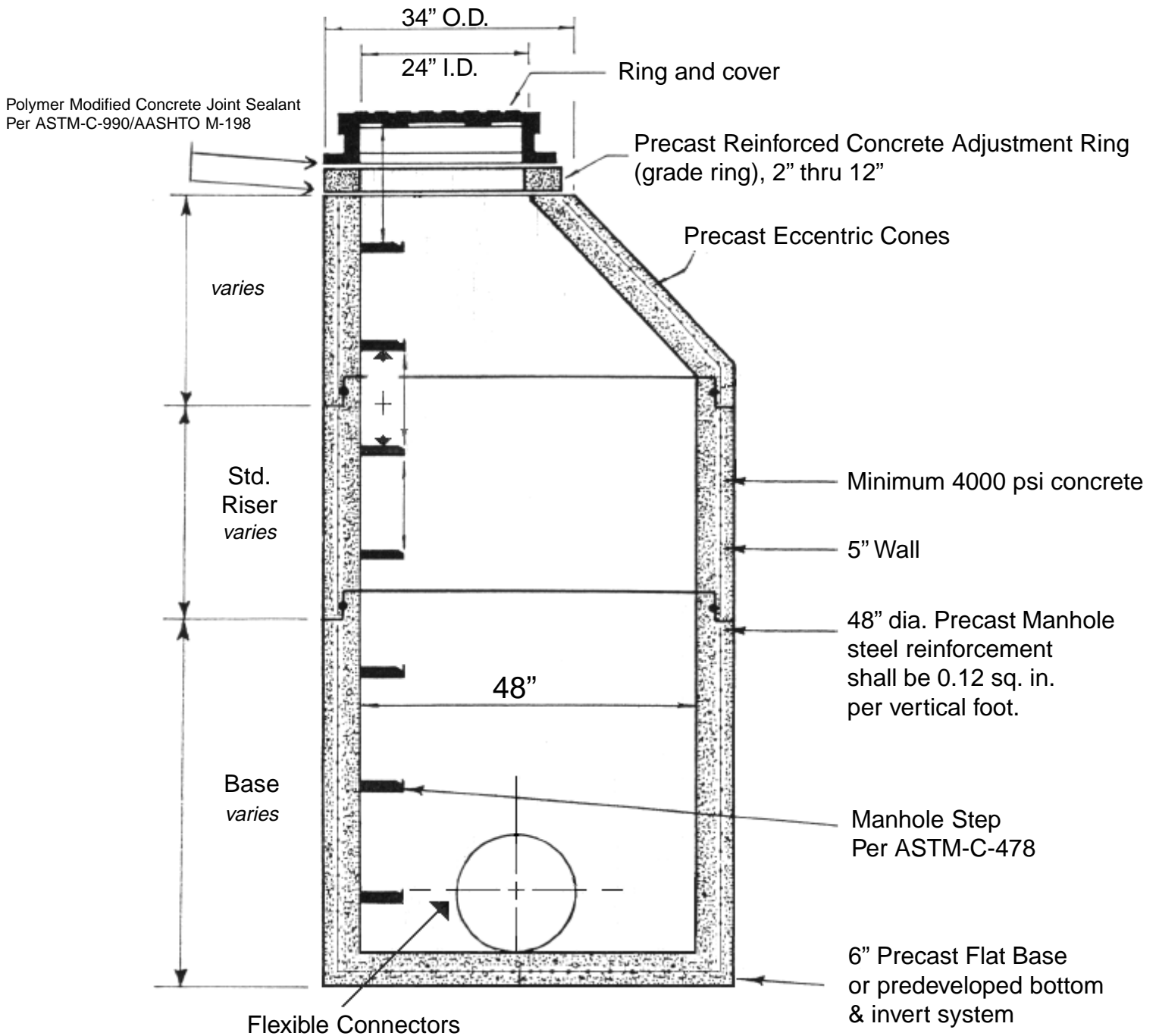
Scurlock Industries

Jonesboro, AR - Springfield, MO - Miami, OK - Fayetteville, AR
870-935-5913 417-862-5088 918-542-1884 479-521-0504



Precast Storm / Sanitary Sewer Manholes

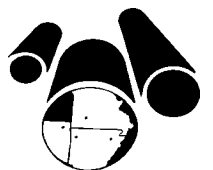
STANDARD



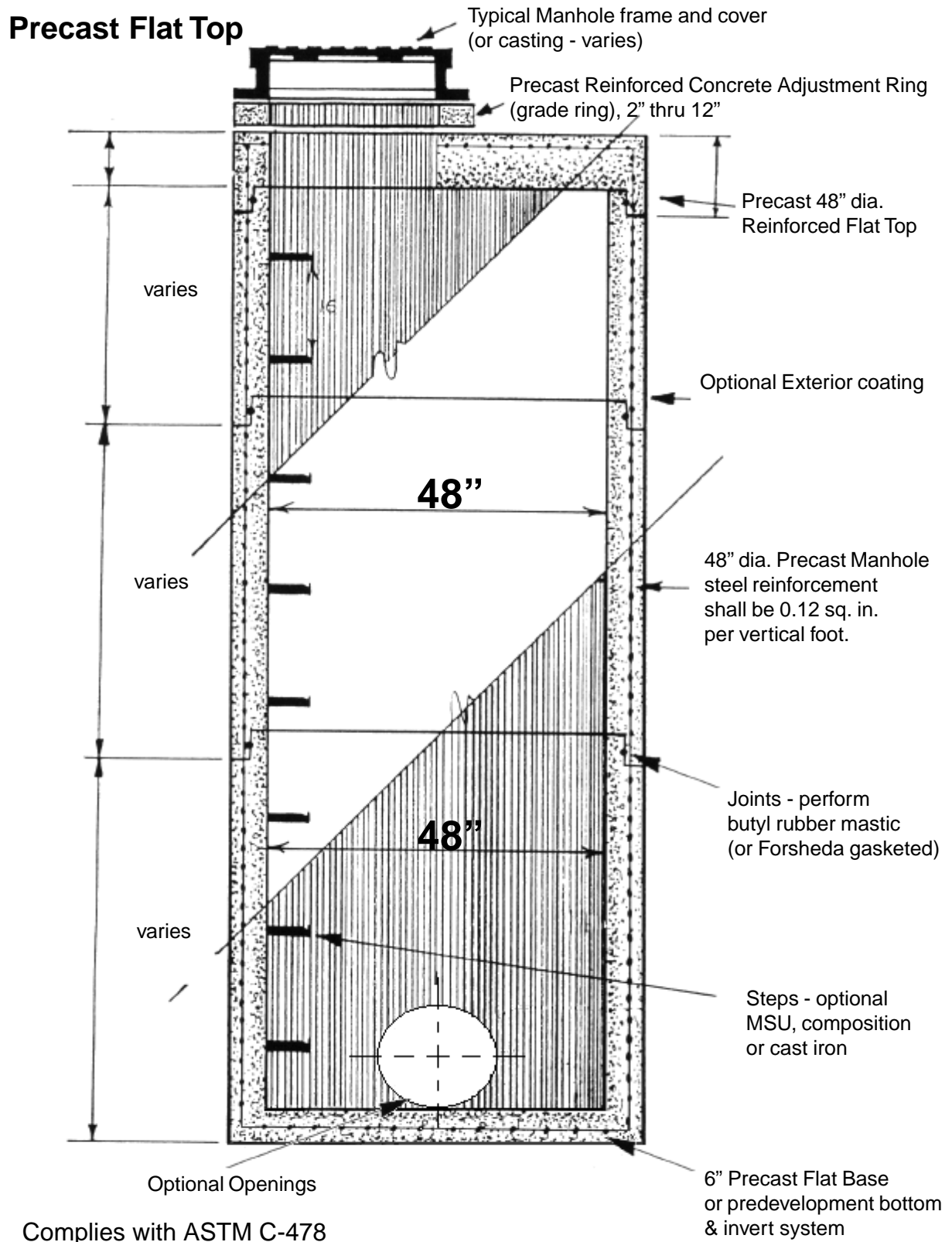
Complies with ASTM C-478

Scurlock Industries

Jonesboro, AR - Springfield, MO - Miami, OK - Fayetteville, AR
870-935-5913 417-862-5088 918-542-1884 479-521-0504



Precast Storm / Sanitary Sewer Manholes



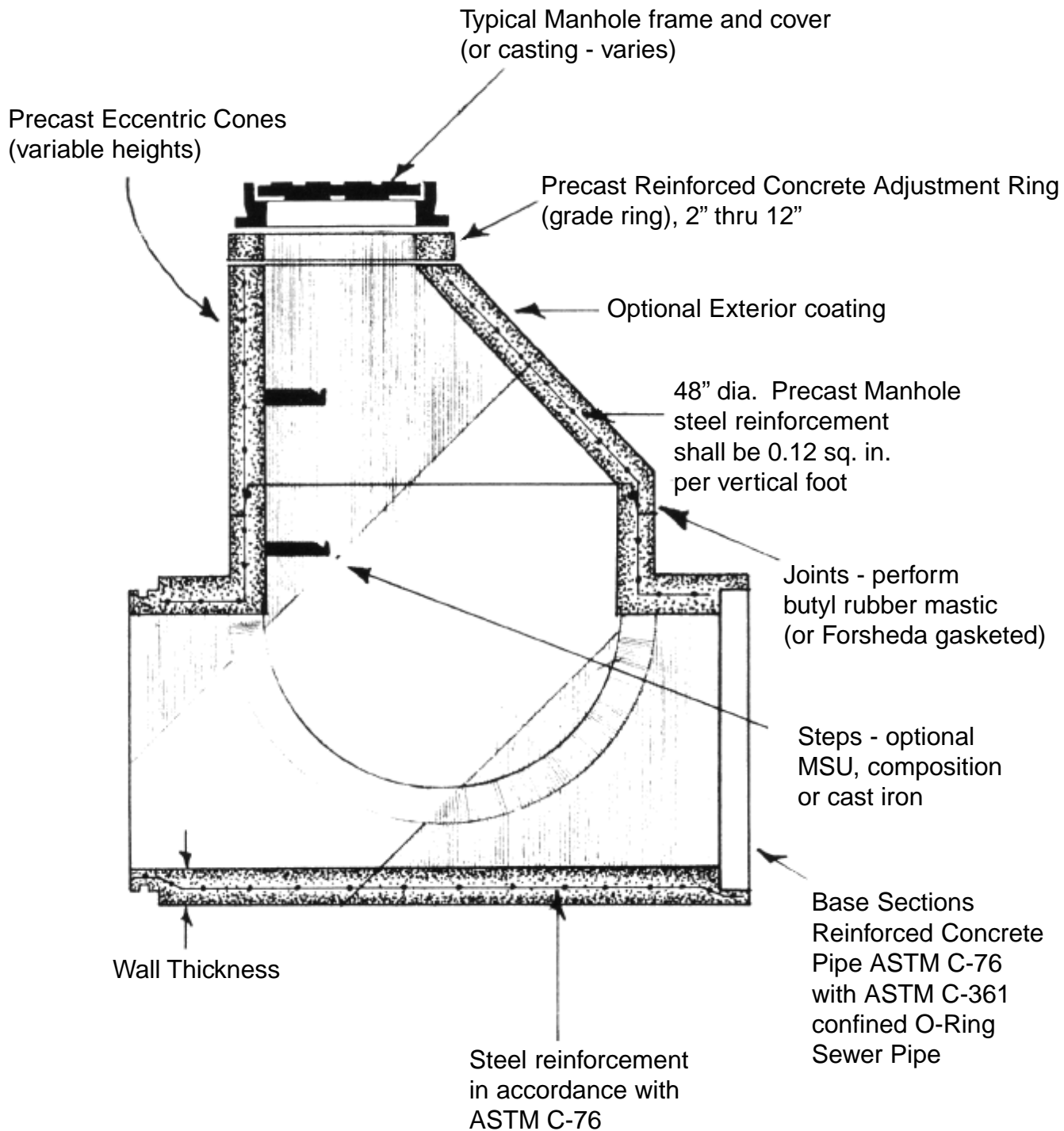
Scurlock Industries

Jonesboro, AR - Springfield, MO - Miami, OK - Fayetteville, AR
 870-935-5913 417-862-5088 918-542-1884 479-521-0504



Precast Sanitary Sewer Manholes

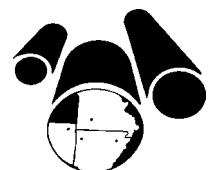
Tee Base Manhole With Cone



Complies with ASTM C-478

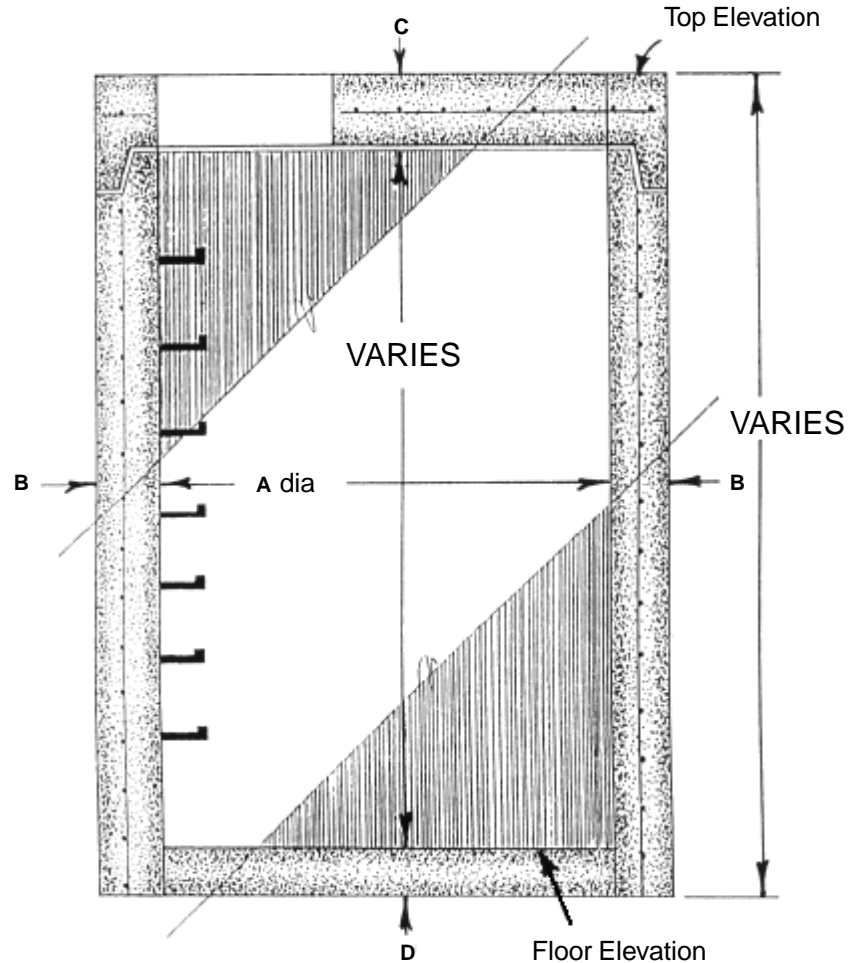
Scurlock Industries

Jonesboro, AR - Springfield, MO - Miami, OK - Fayetteville, AR
870-935-5913 417-862-5088 918-542-1884 479-521-0504



Precast Wetwells

For: Lift Station Housing, Precast Valve Vaults, Wetwells, Drywells, Holding Tanks, Air Release Manhole, Vacuum Manholes



Optional Features

- Coating - in or out
- Steps
- Sleeve openings or A Loks
- Flat Top Thickness
- Water Stop
- Extended Bases
- Casting
- Vent Sizes
- Joint Details

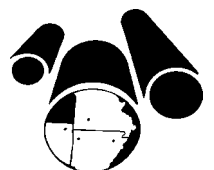
Standard Sizes

Complies with ASTM C-478
 Contact our plant for availability of various sizes of manholes.
 Contact our plant regarding square wetwells, wall thickness, etc.

Inside Diameter A	Wall Thickness B	Flat Top Thickness C	Precast Flat Bottom D	Outside Diameter	Weight Per Vertical Foot
48"	5-3/4"	8"	6"	59-1/2"	1,011 lbs.
60"	6-3/4"	8"	8"	73-1/2"	1,477 lbs.
72"	7"	10"	8"	86"	1,811 lbs.
84"	8"	10"	12"	100"	2,407 lbs.
96"	9"	10"	12"	114"	3,090 lbs.
120"	10"	12"	12"	140"	4,254 lbs.

Scurlock Industries

Jonesboro, AR - Springfield, MO - Miami, OK - Fayetteville, AR
 870-935-5913 417-862-5088 918-542-1884 479-521-0504



Precast Wetwells



(above) 10' x 10' Precast Wetwell Installation

(below) 96" Wetwells

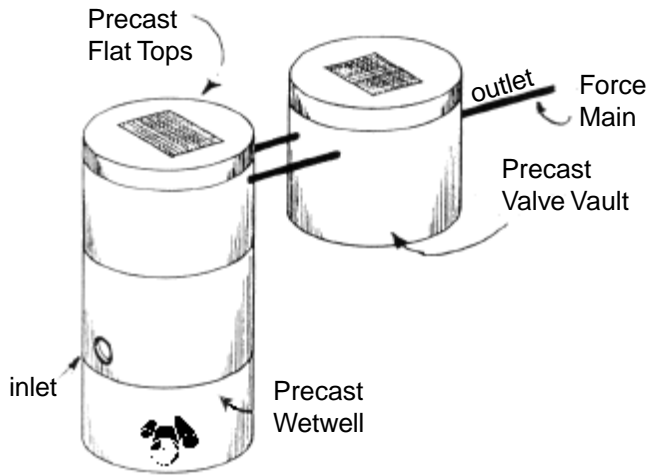


Scurlock Industries

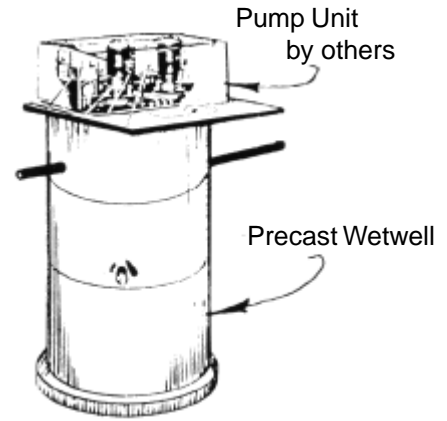
Jonesboro, AR - Springfield, MO - Miami, OK - Fayetteville, AR
870-935-5913 417-862-5088 918-542-1884 479-521-0504



Precast Lift Station Wetwells & Valve Vaults



For: Submersible Pumps

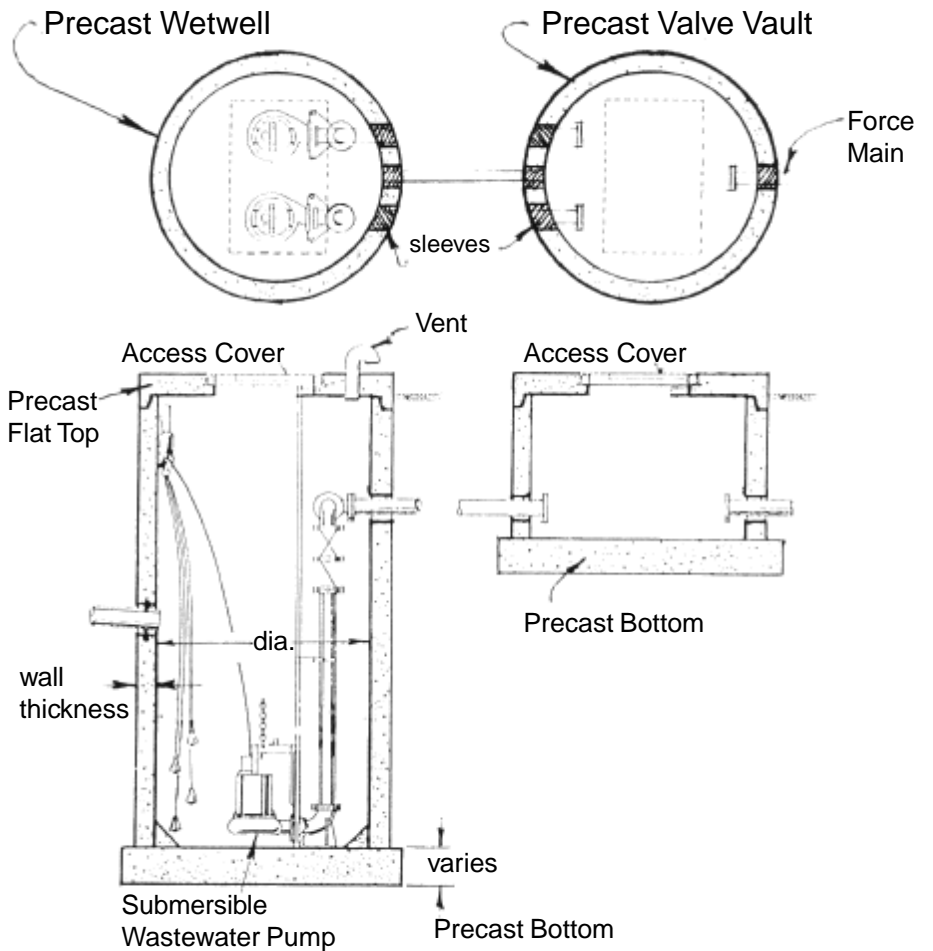


For: Top Mounted Pumps

Specifications:

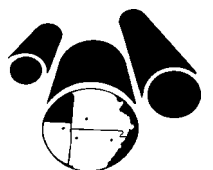
ASTM C-478
with
4,000 PSI Concrete

Contact our plant
for special designs
and changes in joint
design.

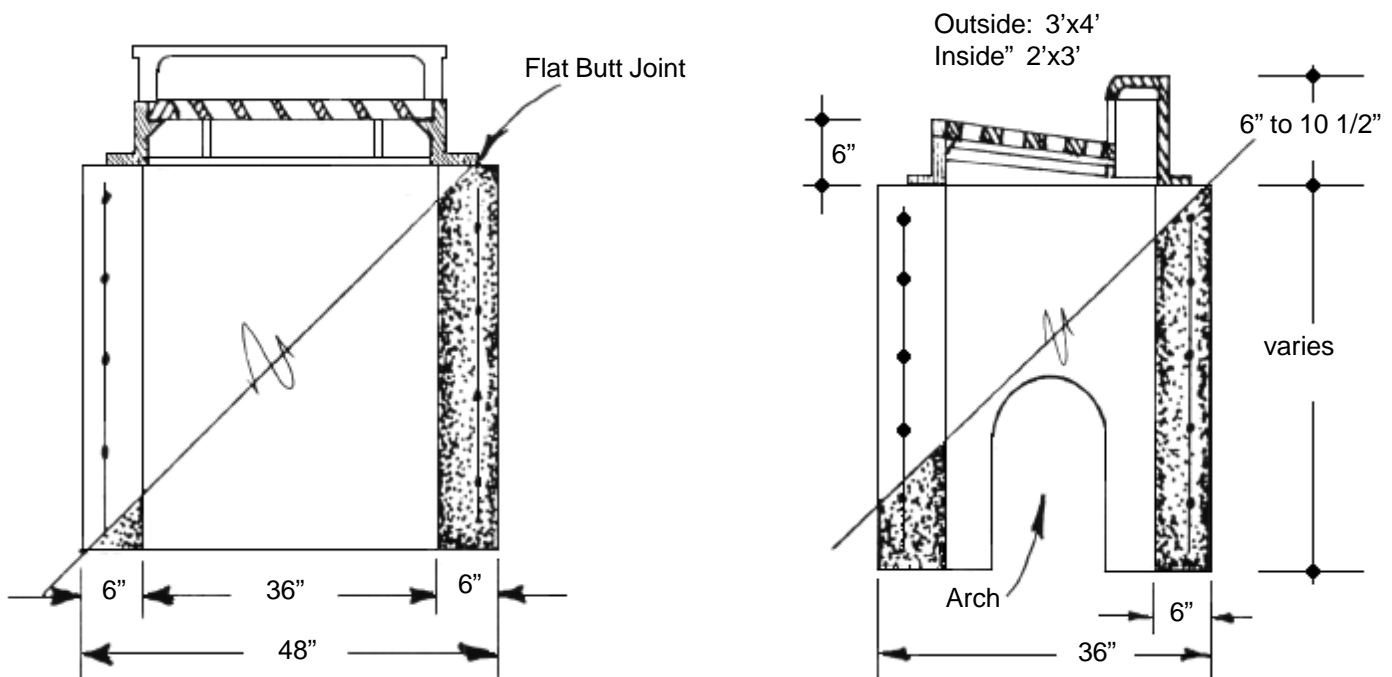


Scarlock Industries

Jonesboro, AR - Springfield, MO - Miami, OK - Fayetteville, AR
870-935-5913 417-862-5088 918-542-1884 479-521-0504



Precast Curb Inlet



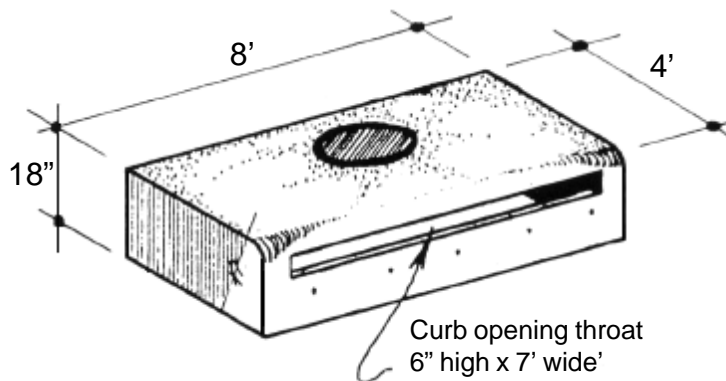
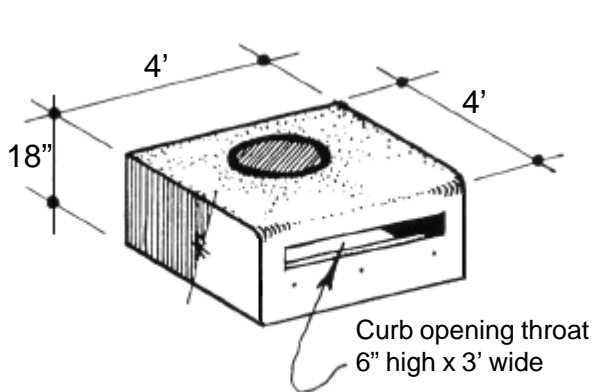
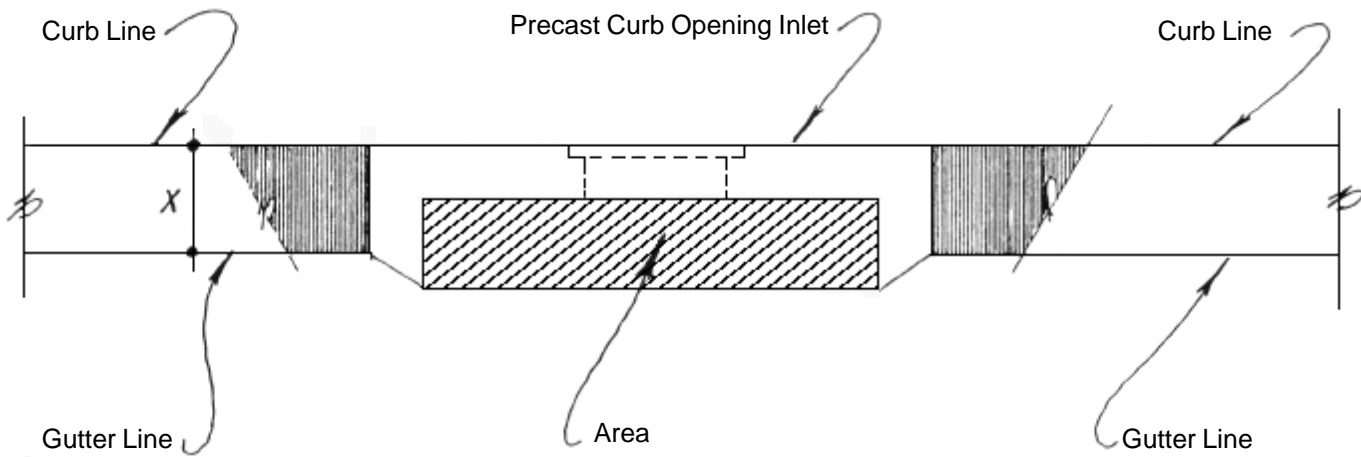
- Contact our plant for availability of various sizes of Precast Curb Inlets.

Scurlock Industries

Jonesboro, AR - Springfield, MO - Miami, OK - Fayetteville, AR
870-935-5913 417-862-5088 918-542-1884 479-521-0504



Capacity of Precast Curb Opening Inlets



CAPACITY OF INLETS IN C.F.S.

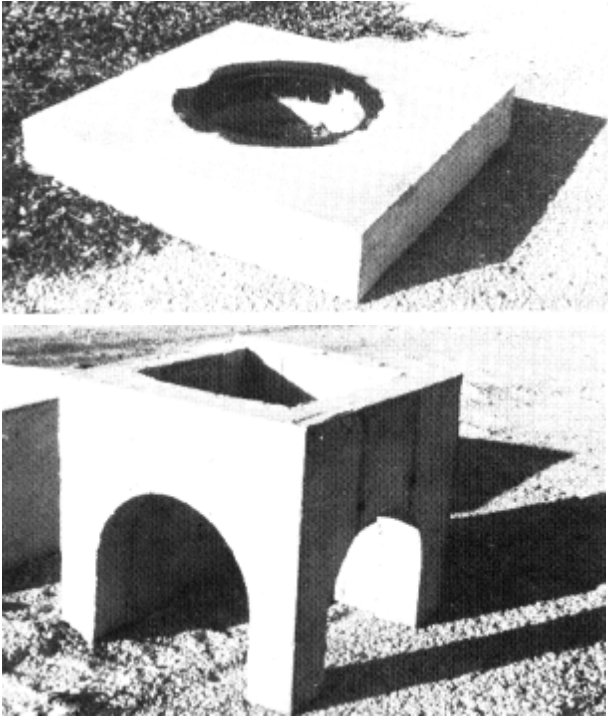
Depth at (X)	4'x4' Unit (3' opening)	4'x8' Unit (7' opening)
1"	1.3	3.0
2"	1.8	4.4
3"	2.6	6.2
4"	3.4	8.0
5"	4.2	10.1
6"	5.2	12.6

Scurlock Industries

Jonesboro, AR - Springfield, MO - Miami, OK - Fayetteville, AR
 870-935-5913 417-862-5088 918-542-1884 479-521-0504

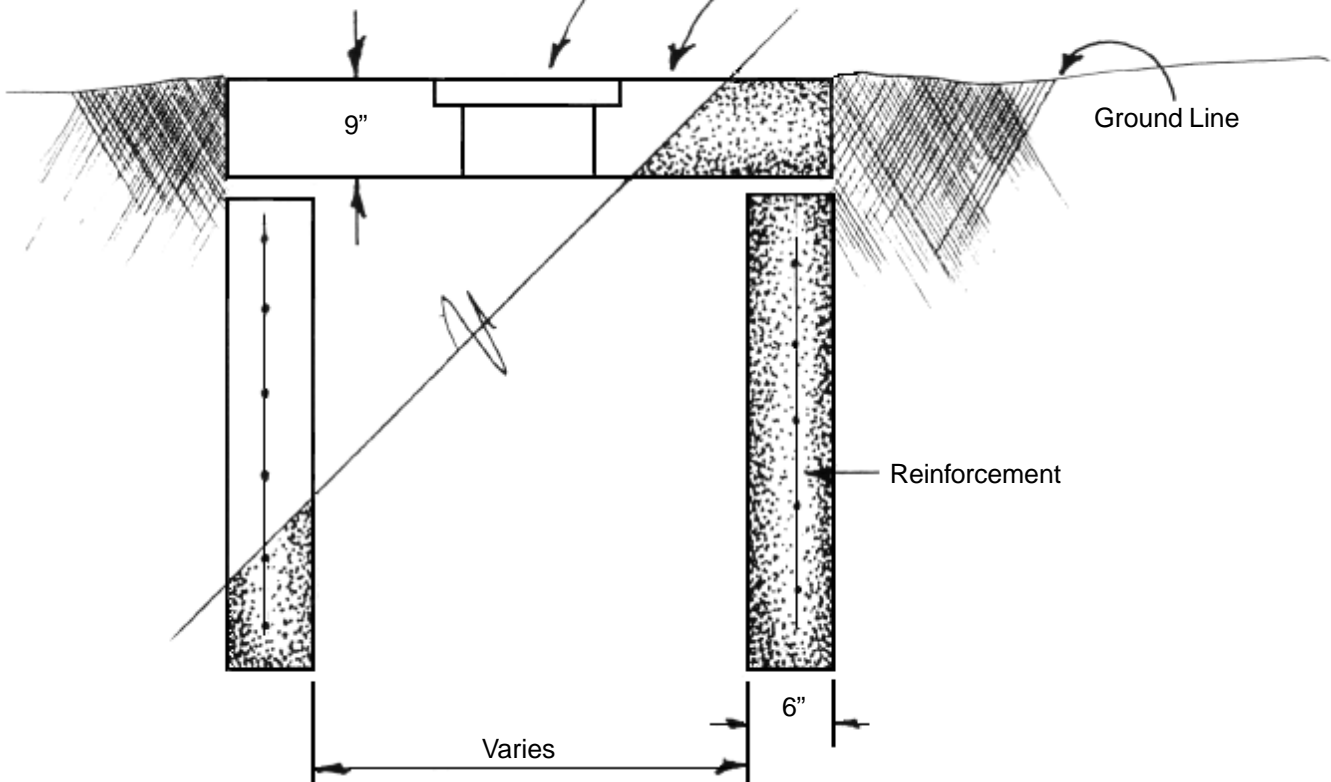


Precast Junction Box



Casting
Deeter #2018

Broomed and Edged



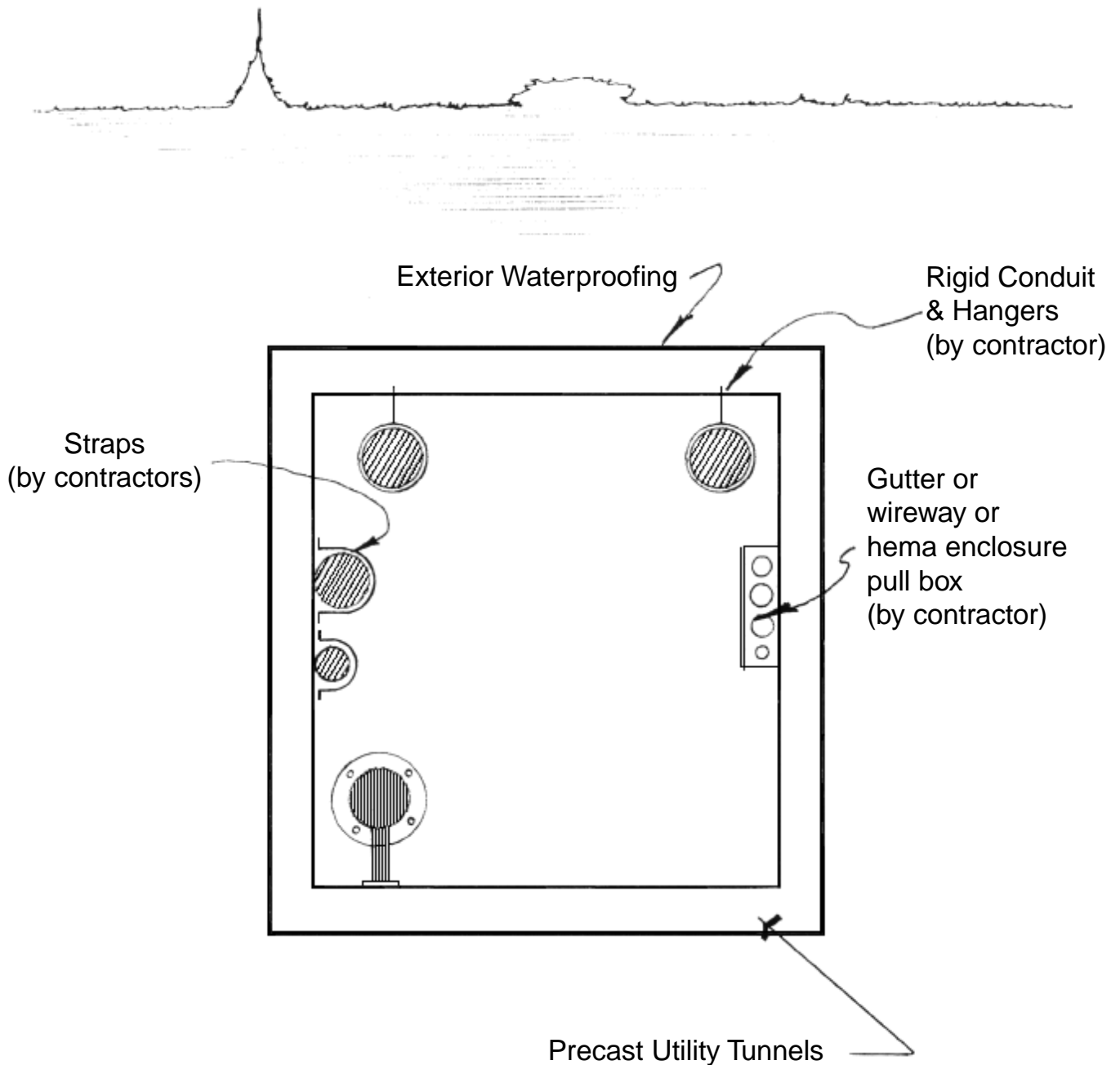
- Contact our plant for availability of Precast Junction Boxes

Sewlock Industries

Jonesboro, AR - Springfield, MO - Miami, OK - Fayetteville, AR
870-935-5913 417-862-5088 918-542-1884 479-521-0504



Precast Utility Tunnels

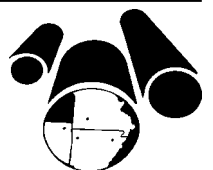


Available in various designs and sizes.

Contact our plant for special modifications.

Scorlock Industries

Jonesboro, AR - Springfield, MO - Miami, OK - Fayetteville, AR
870-935-5913 417-862-5088 918-542-1884 479-521-0504

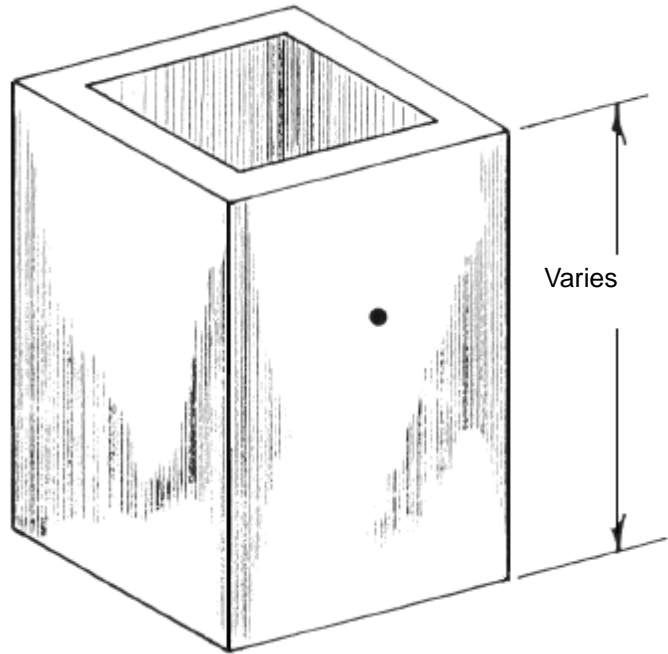


Precast Electrical Pullboxes

- Contact our plant for availability of various sizes of precast electrical modules.

Reinforcement meets all ASTM standards.

Splice in conductors shall be allowed only when conductor length exceeds 500 l.f.



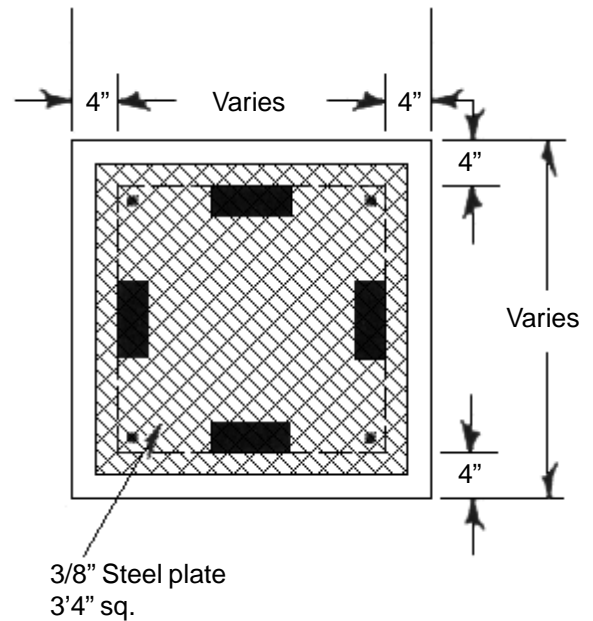
E Bolt with cable tie for conductor or eye bolt - if required

Seal all connections watertight, with scotchcast electrical splicing or an approved equal.

L 2"x2"x1/4"x4" LG. welded to steel plate (typical 4 places)

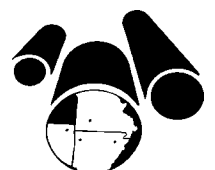
Conduit (typical) (All conduit ending in pits shall be sealed watertight.)

Conduit bushing (typical)

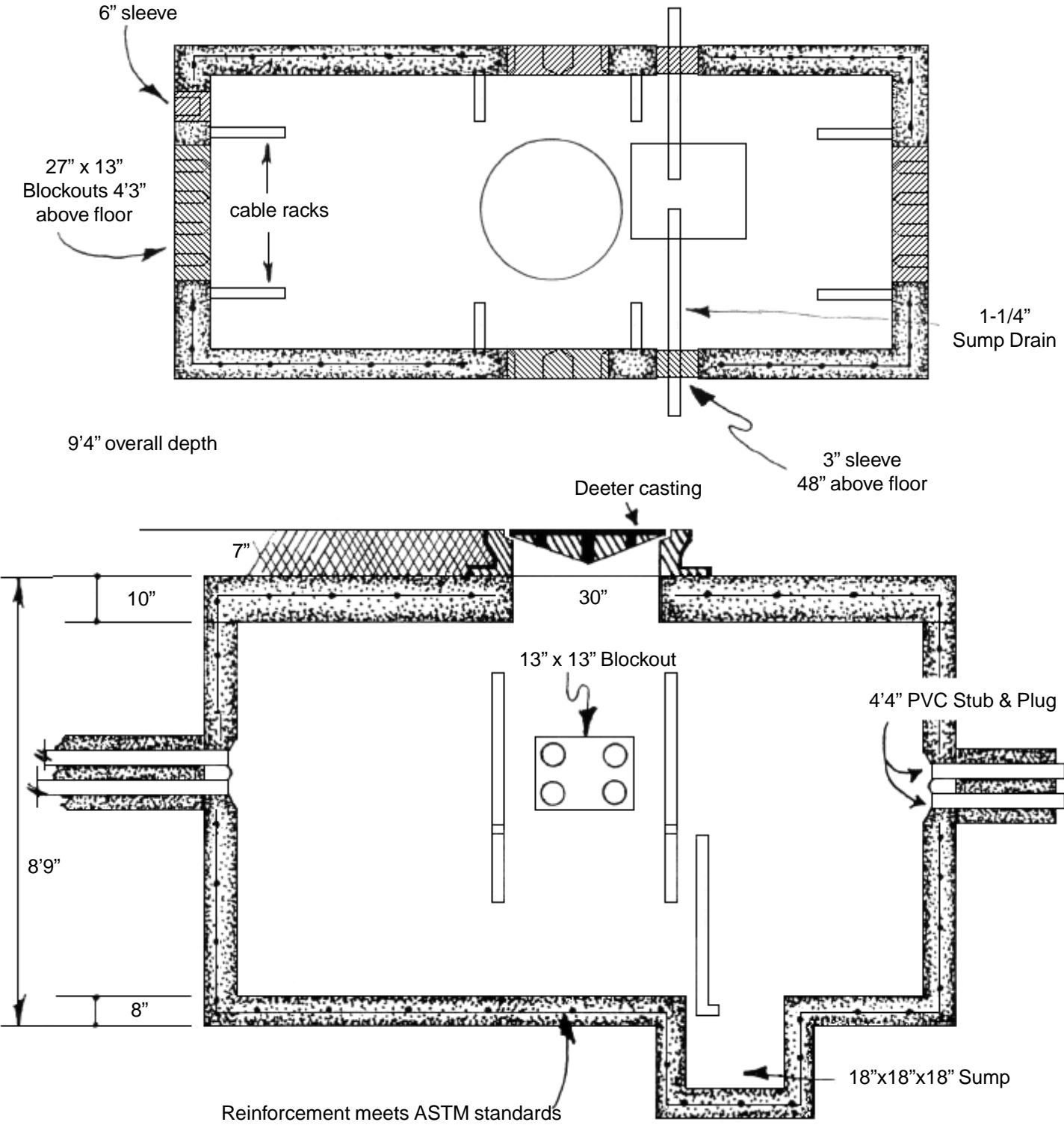


Scurlock Industries

Jonesboro, AR - Springfield, MO - Miami, OK - Fayetteville, AR
 870-935-5913 417-862-5088 918-542-1884 479-521-0504

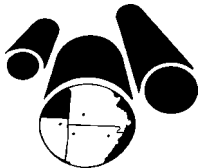


Precast Electrical Manholes

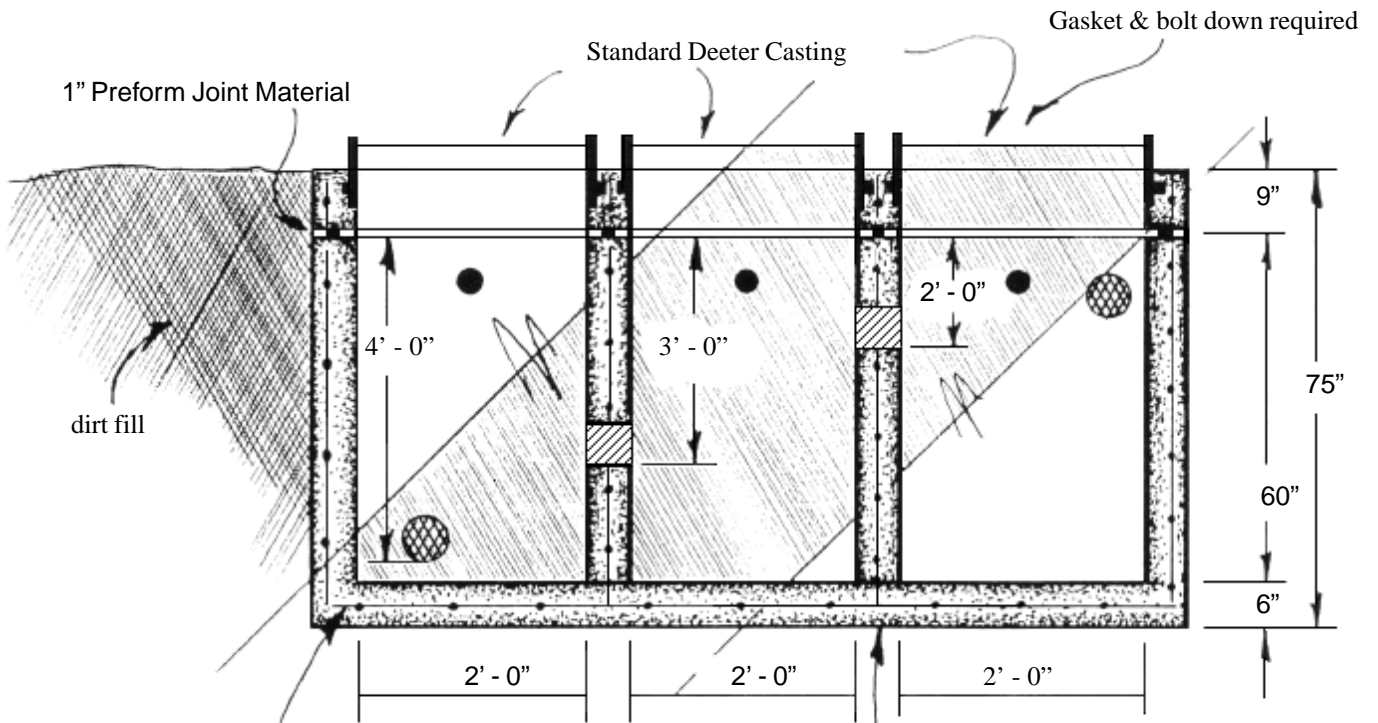
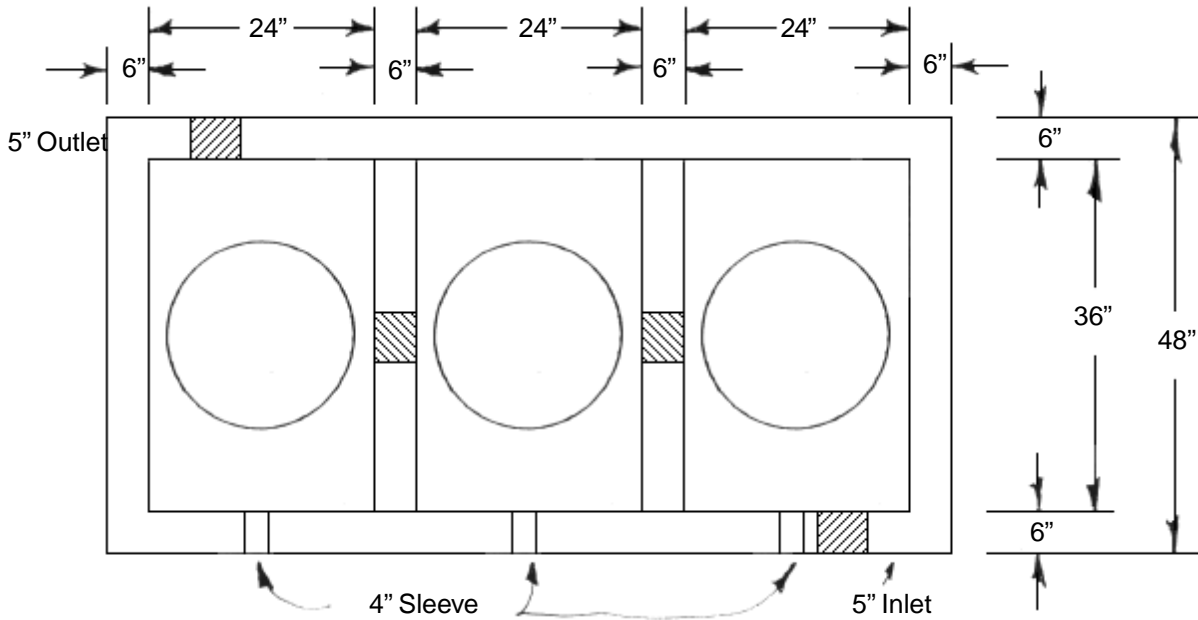


Scurlock Industries

Jonesboro, AR - Springfield, MO - Miami, OK - Fayetteville, AR
 870-935-5913 417-862-5088 918-542-1884 479-521-0504



Precast Oil Interceptor



NOTE:
All internal piping to be done by the contractor.

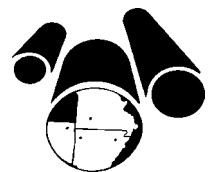
Reinforcement meets ASTM standards

Optional coating
Kopper's Super Service Black

- Contact our plant for availability of various sizes of Precast Oil Interceptors.

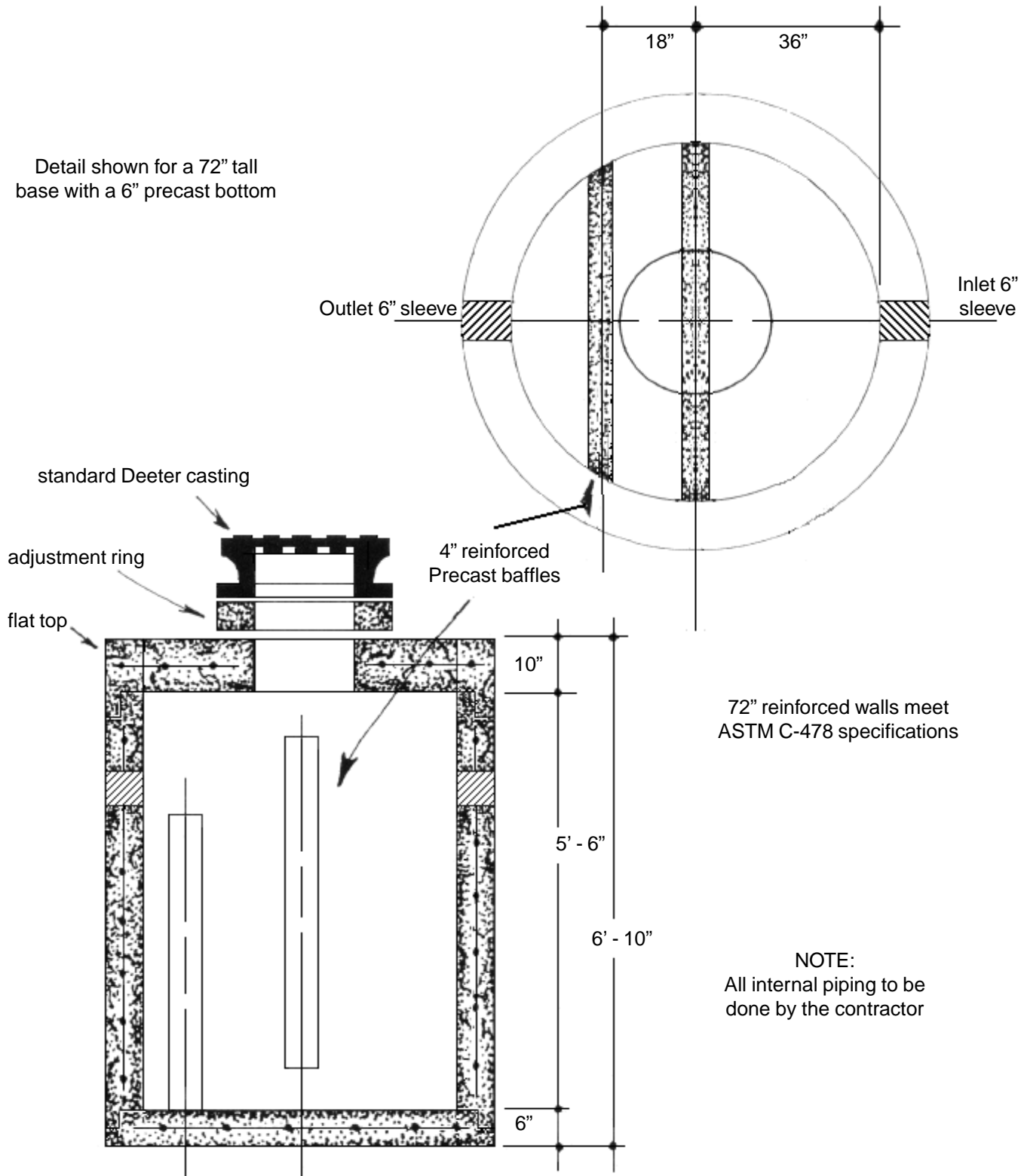
Scurlock Industries

Jonesboro, AR - Springfield, MO - Miami, OK - Fayetteville, AR
870-935-5913 417-862-5088 918-542-1884 501-521-0504



Precast Oil Interceptor

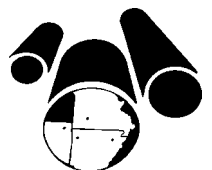
Detail shown for a 72" tall base with a 6" precast bottom



• Contact our plant for availability of various of Precast Oil Interceptors.

Scurlock Industries

Jonesboro, AR - Springfield, MO - Miami, OK - Fayetteville, AR
870-935-5913 417-862-5088 918-542-1884 479-521-0504



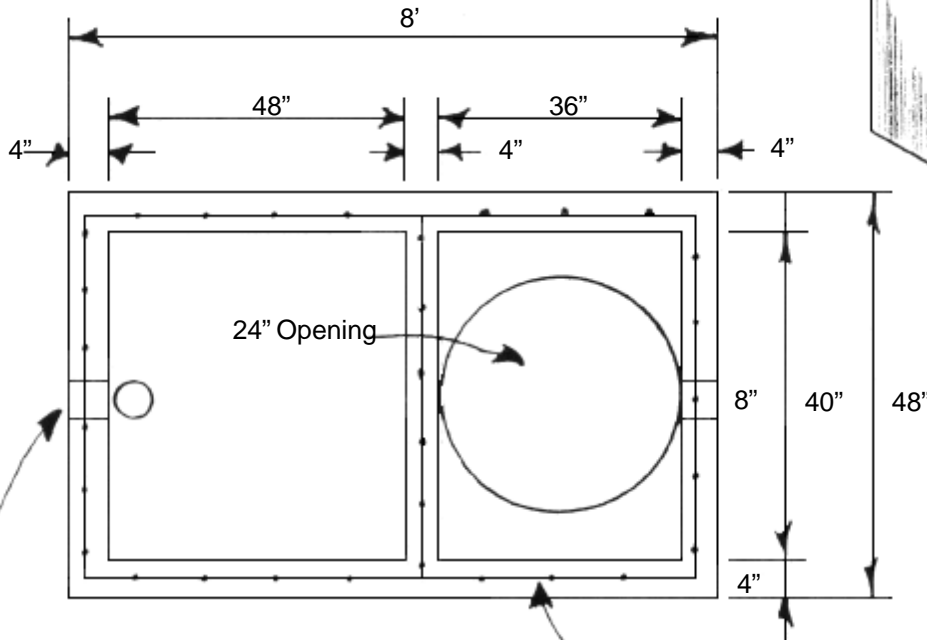
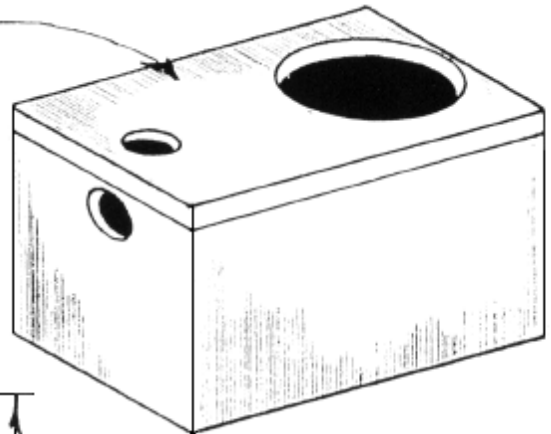
Precast Grease Trap

Two Cell

500 Gallon

• Contact our plant for availability of various sizes of Precast Oil Interceptors.

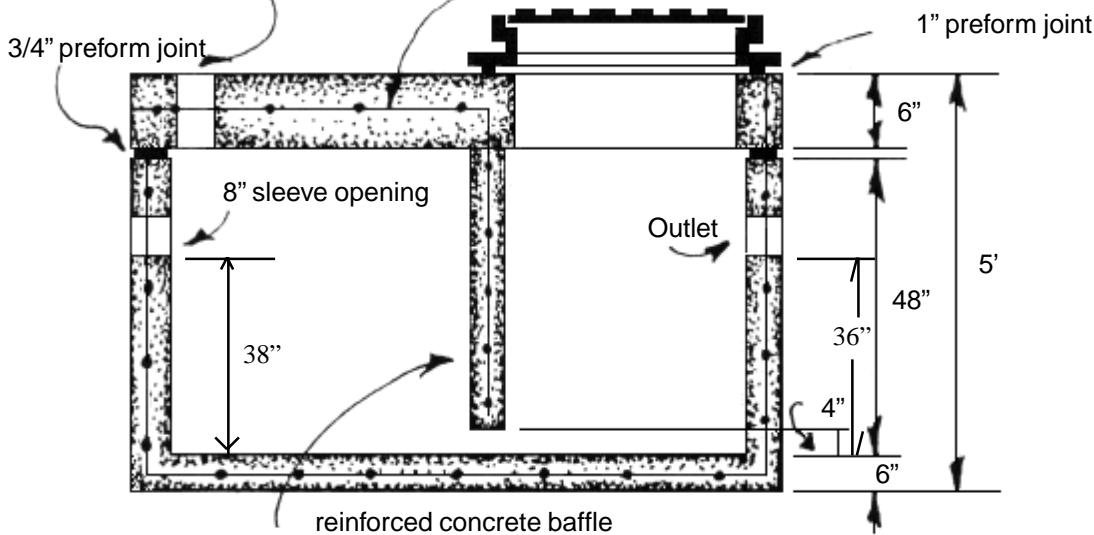
Kopper's Exterior Coating



NOTE:
All internal piping to be done by the contractor.

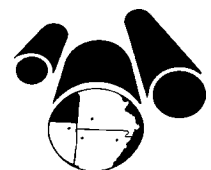
8" sleeve opening for surface cleanout

Reinforcement meets all ASTM standards.



Scurlock Industries

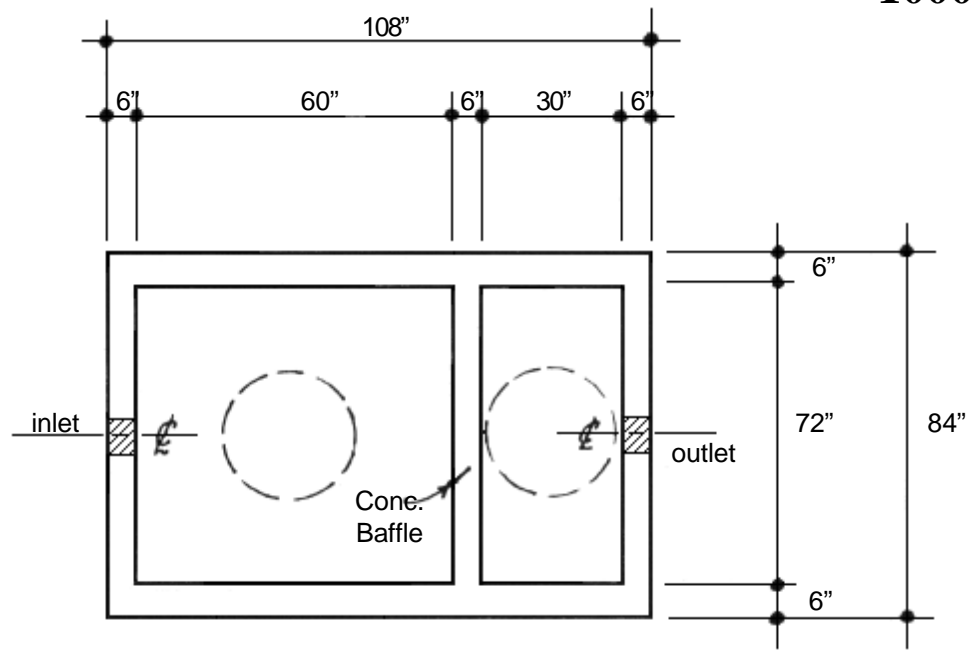
Jonesboro, AR - Springfield, MO - Miami, OK - Fayetteville, AR
870-935-5913 417-862-5088 918-542-1884 479-521-0504



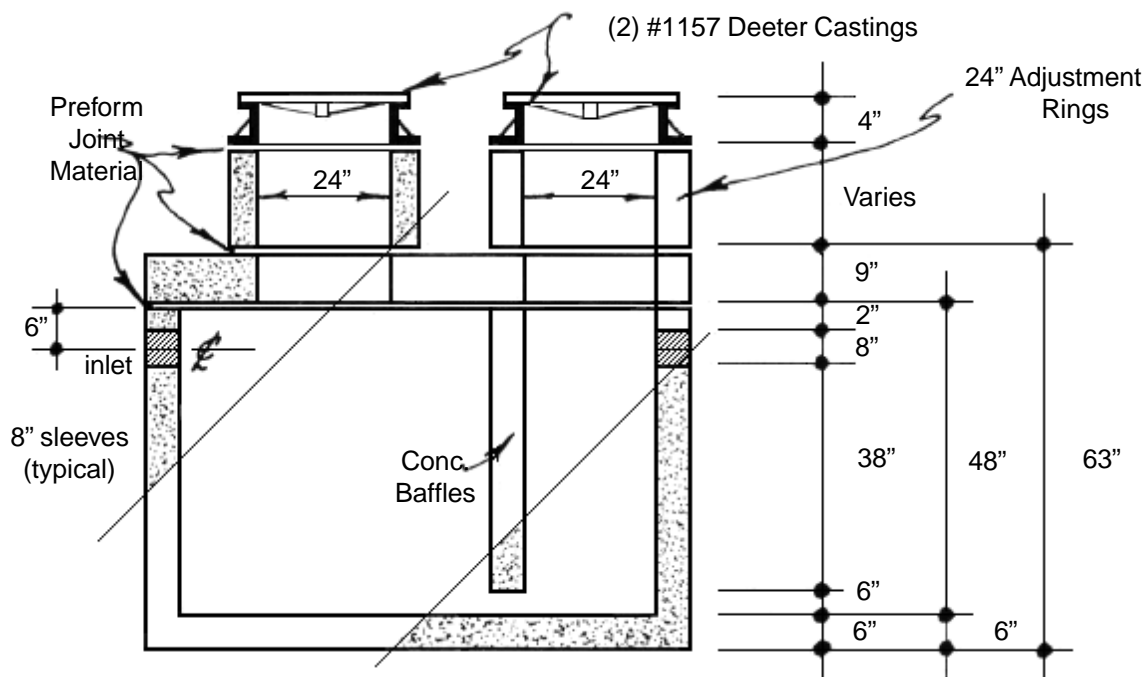
Precast Grease Interceptor

Two Cell

1000 Gallon



Plan



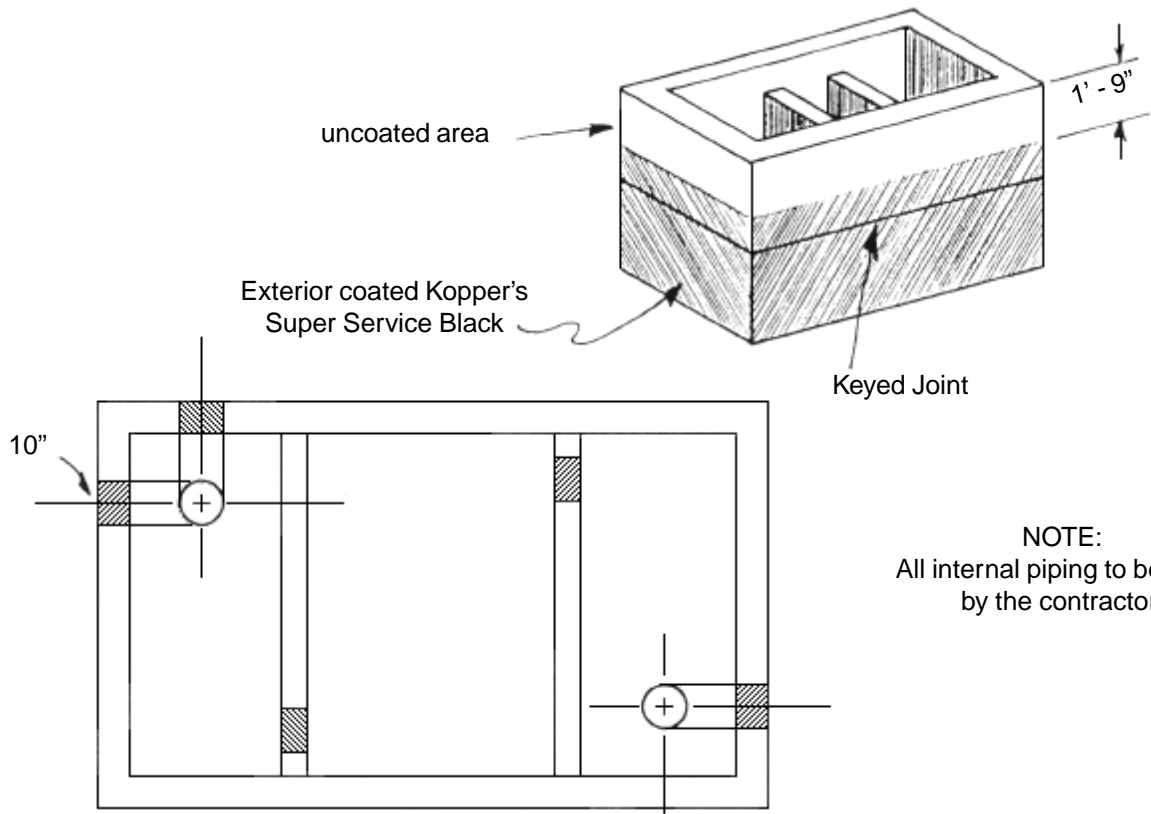
Section

Scurlock Industries

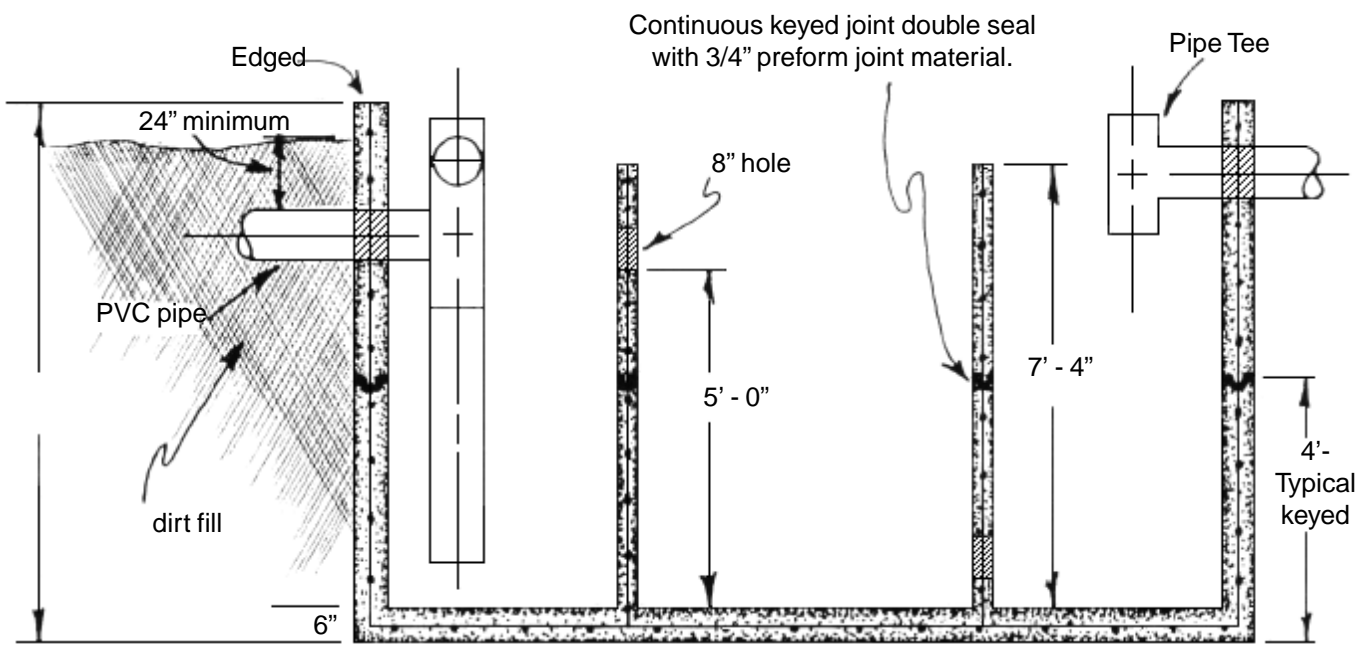
Jonesboro, AR - Springfield, MO - Miami, OK - Fayetteville, AR
870-935-5913 417-862-5088 918-542-1884 479-521-0504



Precast Chlorine Contact Tank



NOTE:
All internal piping to be done
by the contractor.



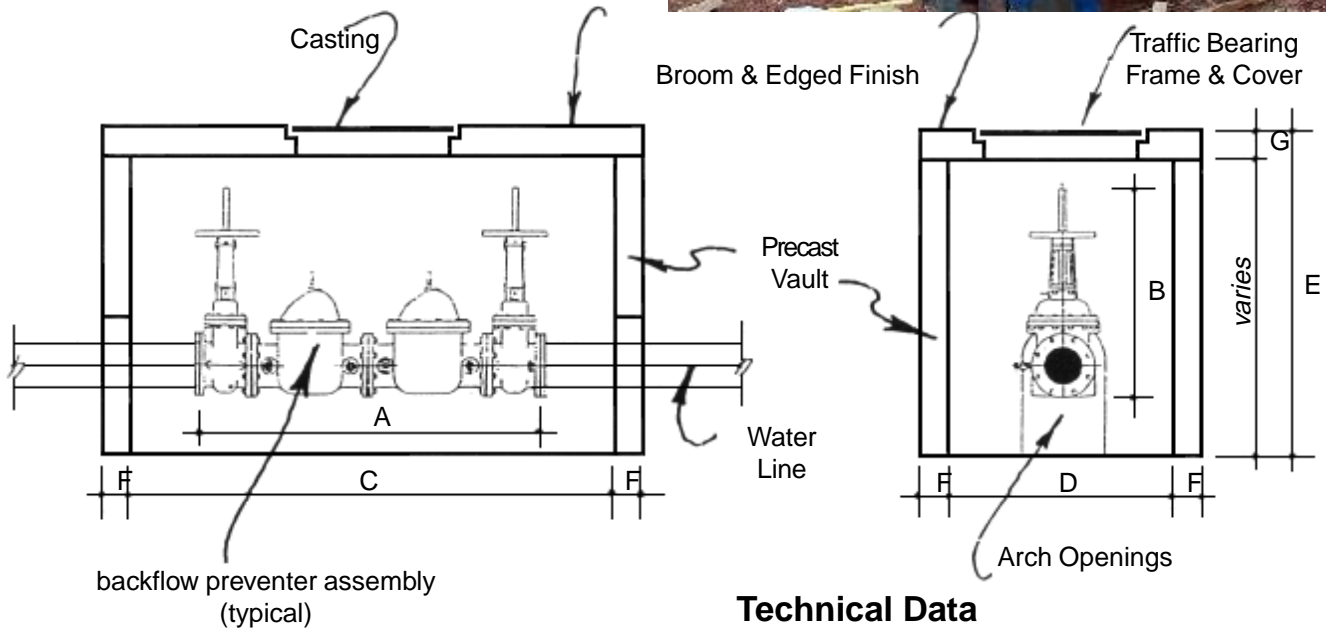
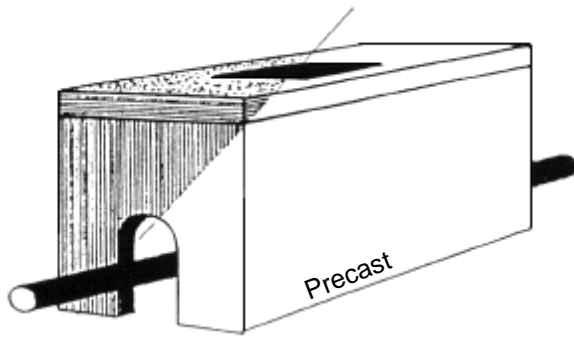
Reinforcement meets ASTM standards
Contact our plant for availability of various sizes of Precast Chlorine Contact Tanks.

Scurlock Industries

Jonesboro, AR - Springfield, MO - Miami, OK - Fayetteville, AR
870-935-5913 417-862-5088 918-542-1884 479-521-0504



Precast Vaults for Double Check Backflow Preventer



Technical Data

Water Line Size		Precast Concrete Vault						
		Back Flow Preventer Average Dimensions		C Length	D Length	E Height	F Wall Thickness	G Top Slab
A Length	B Length							
4"	52" long	28" tall	6'0"	3'0"	4'0"	6" or 8"	HS30 loading 6" or 8"	7,350
6"	66" long	38" tall	7'0"	3'0"	5'0"	6" or 8"	6" or 8"	11,350
8"	72" long	48" tall	8'0"	4'0"	6'0"	6" or 8"	6" or 8"	15,350
10"	82" long	58" tall	9'0"	4'0"	7'0"	6" or 8"	6" or 8"	17,350

Reinforcements in Precast Vaults comply with ASTM A-82 and A-185.

Contact our plant for modifications.

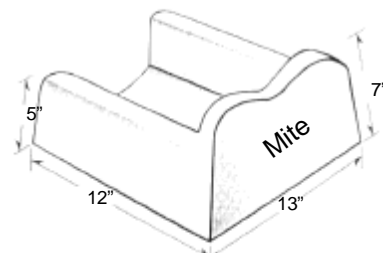
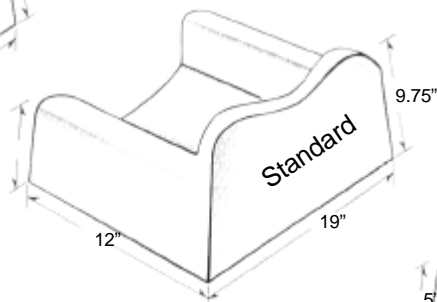
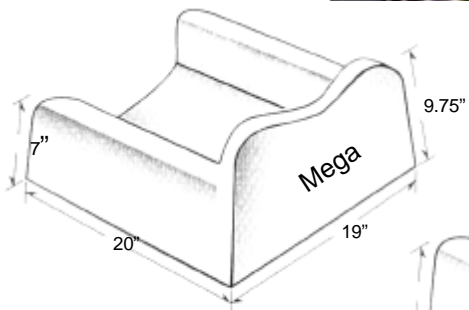
Precast floors with sleeve openings for water lines are optional.

Scurlock Industries

Jonesboro, AR - Springfield, MO - Miami, OK - Fayetteville, AR
 870-935-5913 417-862-5088 918-542-1884 479-521-0504



Precast Retaining Walls



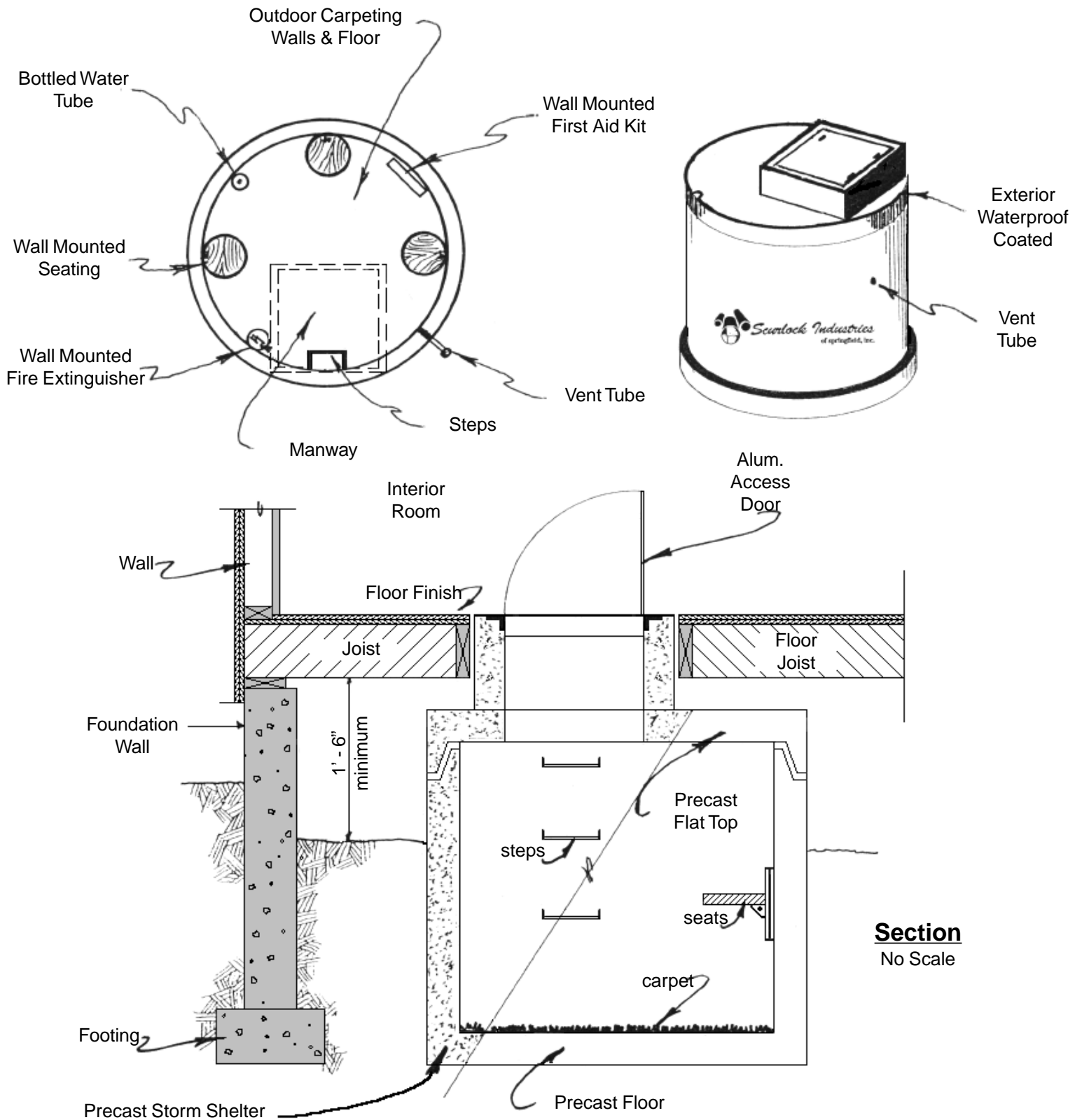
• Contact our plant for more information.

Scurlock Industries

Jonesboro, AR - Springfield, MO - Miami, OK - Fayetteville, AR
870-935-5913 417-862-5088 918-542-1884 501-521-0504

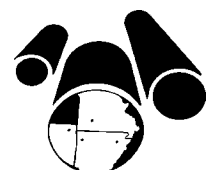


Tornado Round

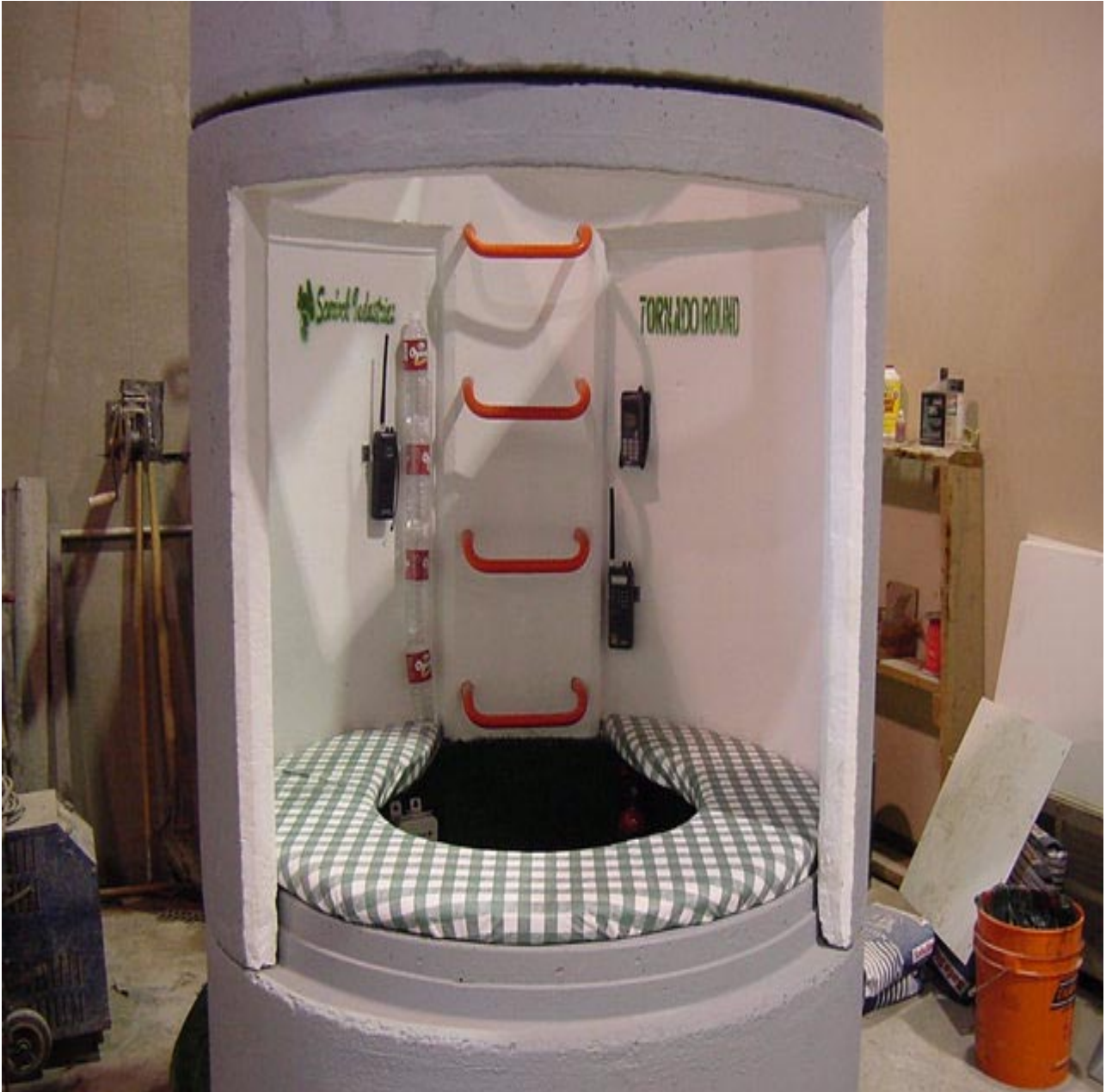


Scurlock Industries

Jonesboro, AR - Springfield, MO - Miami, OK - Fayetteville, AR
 870-935-5913 417-862-5088 918-542-1884 479-521-0504



Tornado Round

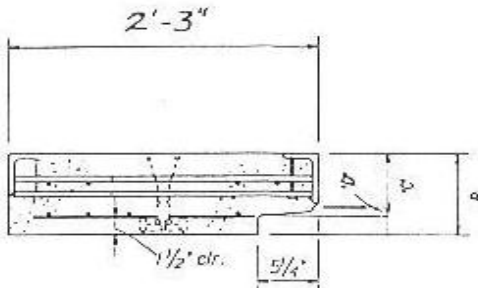


Scorlock Industries

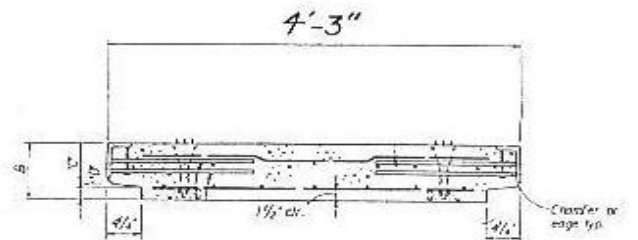
Jonesboro, AR - Springfield, MO - Miami, OK - Fayetteville, AR
870-935-5913 417-862-5088 918-542-1884 479-521-0504



Precast Concrete Railroad Crossings



SECTION A-A

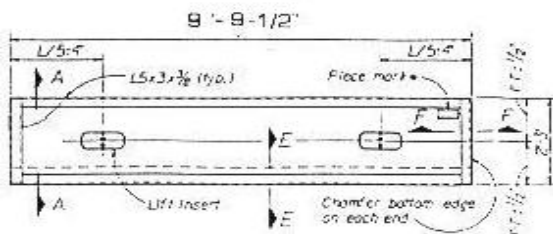


SECTION B-B

CP-1
Weight = 2,250 lbs.

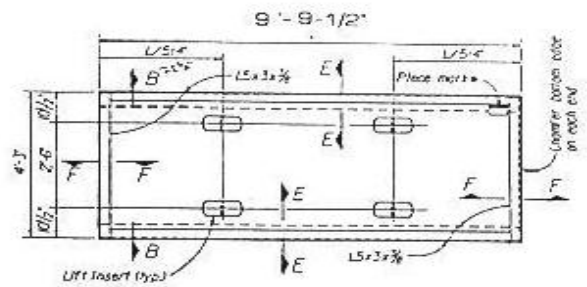
CP-2
Weight = 4,150 lbs.

- A. Manufacturer's name
- B. Month and Year of casting
- C. Rail Size - 133 (or 115)
- D. Weight of Panel
- E. Piece Work



PANEL MK CP-1
Est. Wt. = 230 lbs./LF

(outside rails)



PANEL MK CP-2
Est. Wt. = 425 lbs./LF

(between rails)

PRECAST PANELS

DIMENSION CHART

RAIL SIZE	DEGREE OF CURVE	"L" MAX	"B"	"C"	"D"
136, 133, 131			8"	6"	1/2"
119, 115, 112			7-1/2"	5-1/2"	1/2"
	12" OR LESS	9'-9-1/2"			

NOTE: LENGTHS OF 'L' MAY VARY DEPENDING ON THE DEGREE OF CURVE AND LOCATION OF PLANK.

RAIL 133 CP1 WT 2250 (DATE & #)
RAIL 133 CP2 WT 4150 (DATE & #)
C-6" RAIL 133*

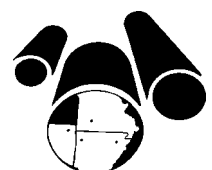
Type 1

RAIL 115 CP1 WT 2250 (DATE & #)
RAIL 115 CP2 WT 4150 (DATE & #)
C-5-1/2" RAIL 115*

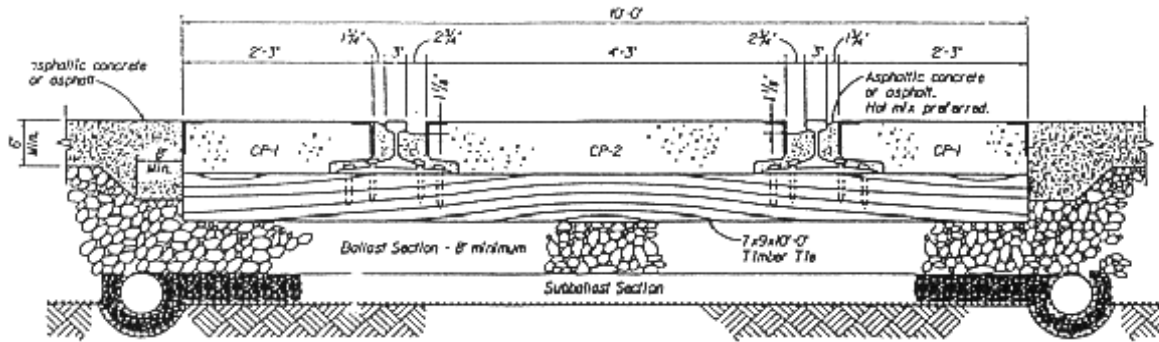
Type 2

Scurlock Industries

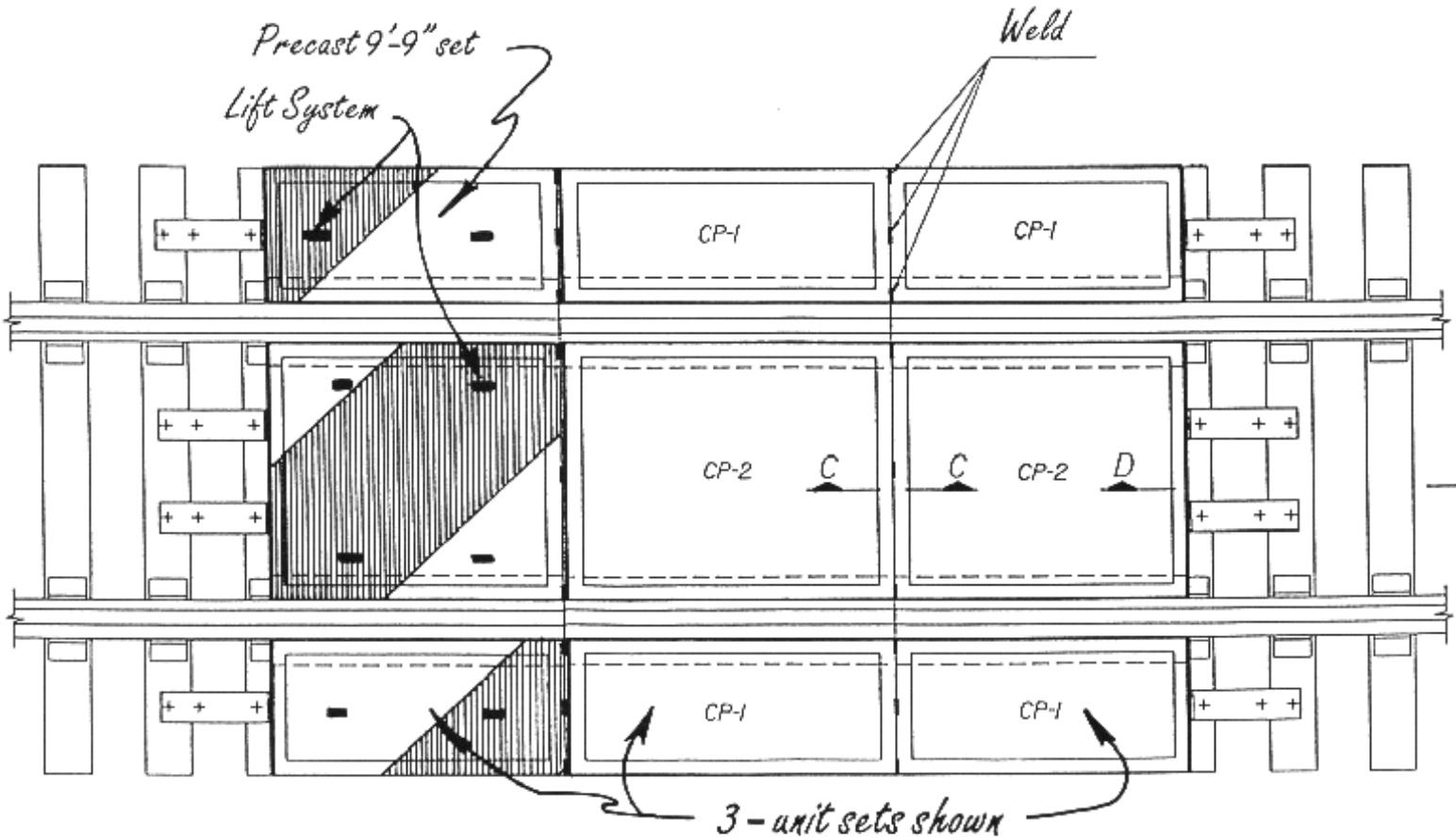
Jonesboro, AR - Springfield, MO - Miami, OK - Fayetteville, AR
870-935-5913 417-862-5088 918-542-1884 479-521-0504



Precast Concrete Railroad Crossings



SECTION THRU CROSSING



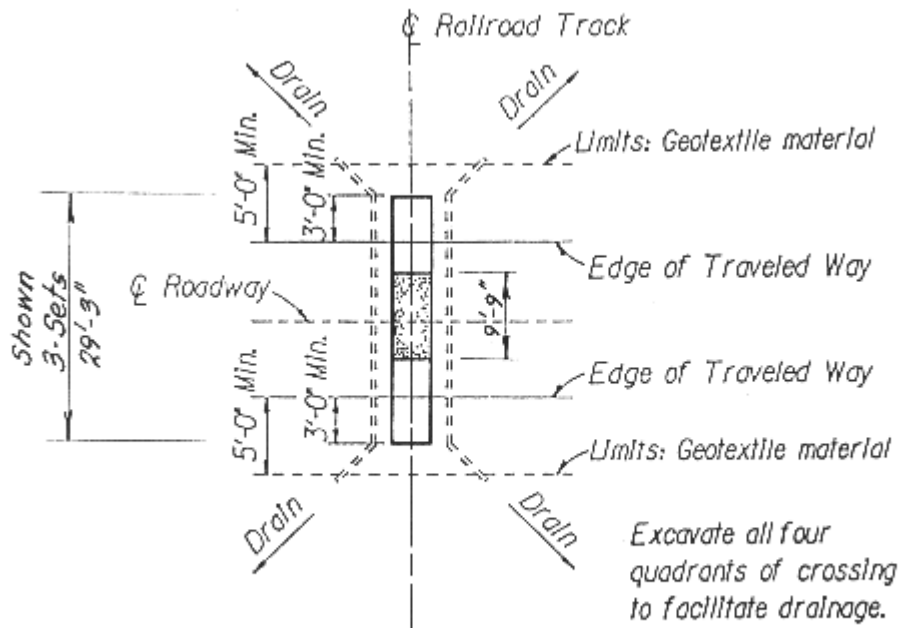
PLAN VIEW OF PANEL & JOINT WELD LOCATION

Scurlock Industries

Jonesboro, AR - Springfield, MO - Miami, OK - Fayetteville, AR
 870-935-5913 417-862-5088 918-542-1884 479-521-0504



Precast Concrete Railroad Crossings



TYPICAL LAYOUT

Scurlock Industries

Jonesboro, AR - Springfield, MO - Miami, OK - Fayetteville, AR
870-935-5913 417-862-5088 918-542-1884 501-521-0504

